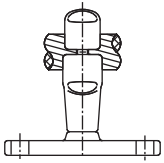


SUPPORTS / SUPPORTS

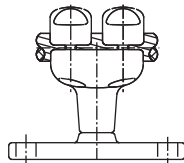


SOPORTES / SUPPORTS / SUPPORTS



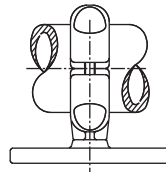
MPC1

▶ Pag. T1



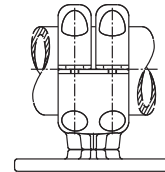
MPC

▶ Pag. T1



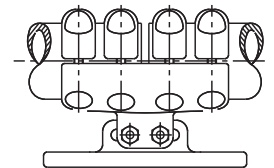
MPB1

▶ Pag. T1



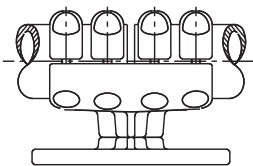
MPB

▶ Pag. T2



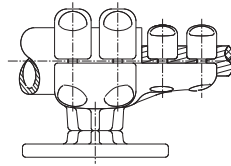
MPEBD

▶ Pag. T2



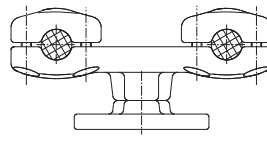
MPEB

▶ Pag. T2



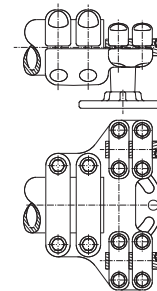
MPEBC

▶ Pag. T3



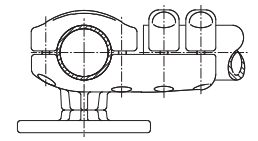
MPU

▶ Pag. T3



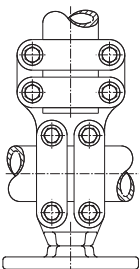
MPDUB

▶ Pag. T4



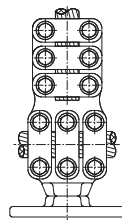
MPDBB

▶ Pag. T4



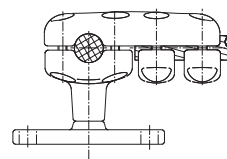
MPTBB

▶ Pag. T5



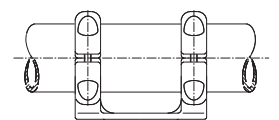
MPDCC3

▶ Pag. T5



MPDCC

▶ Pag. T6



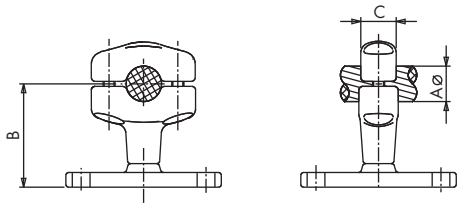
MPEBI

▶ Pag. T6

STRAIGHT SUPPORT FOR CABLE ON INSULATOR

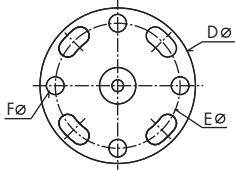
SOPORTE RECTO PARA CABLE MONTADO SOBRE AISLADOR

SUPPORT DROIT POUR CABLE SUR PILLARD



MPC1

Base Detail



Insulator Type

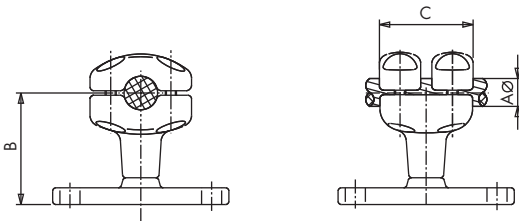
| Dø | Eø | Fø |
|-----|-----|----|
| 108 | 76 | 14 |
| 158 | 127 | 18 |
| 265 | 225 | 18 |

| Referencia Code Référence | mm. | | | Par de apriete Tightening torque Couple de serrage (kg.m) |
|---------------------------------|-------|-----|----|--------------------------------------------------------------------|
| | Aø | B | C | |
| MPC1-18 | 16-19 | 100 | 45 | 5 |
| MPC1-22 | 20-23 | 100 | 45 | 5 |
| MPC1-25 | 24-26 | 100 | 45 | 5 |
| MPC1-30 | 27-30 | 100 | 45 | 5 |
| MPC1-32 | 31-32 | 100 | 45 | 5 |
| MPC1-35 | 33-35 | 100 | 45 | 5 |
| MPC1-38 | 36-39 | 100 | 45 | 5 |
| MPC1-43 | 40-43 | 100 | 45 | 5 |

STRAIGHT SUPPORT FOR CABLE ON INSULATOR (2 FLANGE)

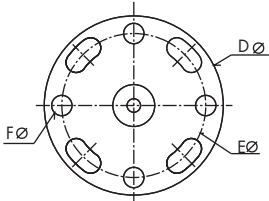
SOPORTE RECTO PARA CABLE MONTADO SOBRE AISLADOR (2 BRIDAS)

SUPPORT DROIT POUR CABLE SUR PILLARD (2 BRIDES)



MPC

Base Detail



Insulator Type

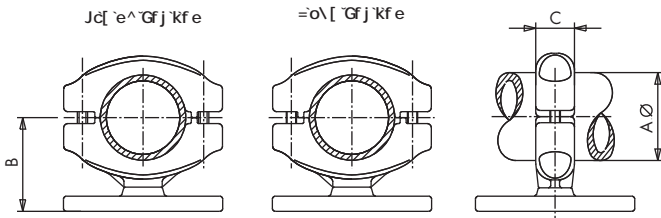
| Dø | Eø | Fø |
|-----|-----|----|
| 108 | 76 | 14 |
| 158 | 127 | 18 |
| 265 | 225 | 18 |

| Referencia Code Référence | mm. | | | Par de apriete Tightening torque Couple de serrage (kg.m) |
|---------------------------------|-------|-----|----|--------------------------------------------------------------------|
| | Aø | B | C | |
| MPC-18 | 16-19 | 100 | 85 | 3 |
| MPC-22 | 20-23 | 100 | 85 | 3 |
| MPC-25 | 24-26 | 100 | 85 | 3 |
| MPC-30 | 27-30 | 100 | 85 | 3 |
| MPC-32 | 31-32 | 100 | 90 | 5 |
| MPC-35 | 33-35 | 100 | 90 | 5 |
| MPC-38 | 36-39 | 100 | 90 | 5 |
| MPC-43 | 40-43 | 100 | 90 | 5 |

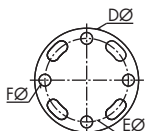
STRAIGHT SUPPORT FIX/SLIDING FOR TUBE ON INSULATOR

SOPORTE RECTO FIJO/DESILIZANTE PARA TUBO MONTADO SOBRE AISLADOR

RACCORD DROIT FIXE/COULISSANT POUR TUBE SUR PILLARD



Base Detail

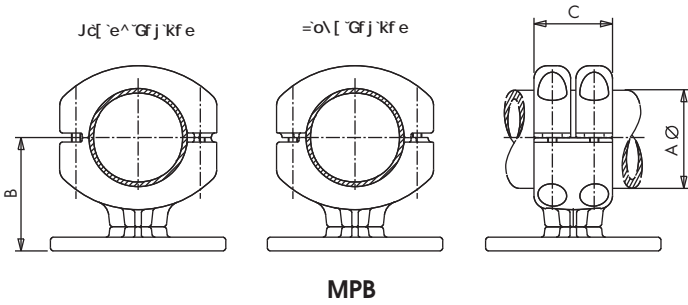


Insulator Type

| Dø | Eø | Fø |
|-----|-----|----|
| 108 | 76 | 14 |
| 158 | 127 | 18 |
| 265 | 225 | 18 |

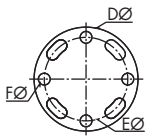
| Referencia Code Référence | mm. | | | Par de apriete Tightening torque Couple de serrage (kg.m) |
|---------------------------------|-----|-----|----|--------------------------------------------------------------------|
| | Aø | B | C | |
| MPB1-50 | 50 | 100 | 45 | 5 |
| MPB1-60 | 60 | 100 | 45 | 5 |
| MPB1-80 | 80 | 105 | 48 | 5 |
| MPB1-100 | 100 | 105 | 48 | 5 |
| MPB1-120 | 120 | 140 | 56 | 7 |
| MPB1-150 | 150 | 170 | 56 | 7 |

MPB1



| Referencia Code Référéce | mm. | | | Par de apriete Tightening torque Couple de serrage (kg.m) |
|--------------------------------|-----|-----|-----|--------------------------------------------------------------------|
| | Aø | B | C | |
| MPB-120 | 120 | 140 | 110 | 7 |
| MPB-150 | 150 | 170 | 120 | 7 |
| MPB-200 | 200 | 220 | 120 | 7 |
| MPB-250 | 250 | 220 | 130 | 7 |

Base Detail



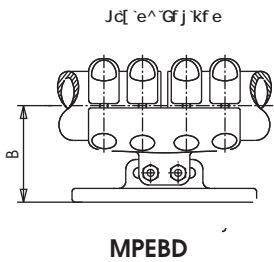
Insulator Type

| Dø | Eø | Fø |
|-----|-----|----|
| 158 | 127 | 18 |
| 265 | 225 | 18 |
| 305 | 254 | 18 |

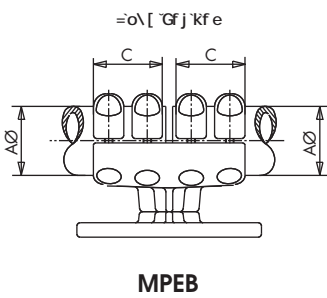
SUPPORT FIX/SLIDING FOR UNION TUBES ON INSULATOR

SOPORTE DE EMPALME FIJO / DESIZANTE PARA UNIÓN DE TUBOS MONTADO SOBRE AISLADOR

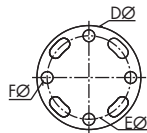
SUPPORT FIXE/COULISSANT POUR JONCTION TUBES SUR PILLARD



| Referencia Code Référéce | mm. | | | Par de apriete Tightening torque Couple de serrage (kg.m) |
|--------------------------------|-----|-----|-----|--------------------------------------------------------------------|
| | Aø | B | C | |
| MPEBD/MPEB-50 | 50 | 100 | 100 | 5 |
| MPEBD/MPEB-60 | 60 | 100 | 100 | 5 |
| MPEBD/MPEB-80 | 80 | 105 | 100 | 5 |
| MPEBD/MPEB-100 | 100 | 105 | 100 | 5 |
| MPEBD/MPEB-120 | 120 | 140 | 110 | 7 |
| MPEBD/MPEB-150 | 150 | 170 | 120 | 7 |
| MPEBD/MPEB-200 | 200 | 220 | 130 | 7 |
| MPEBD/MPEB-250 | 250 | 220 | 130 | 7 |



Base Detail



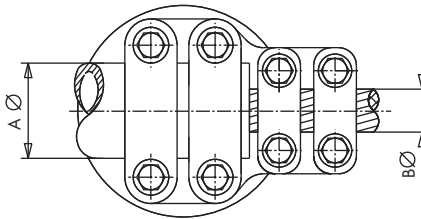
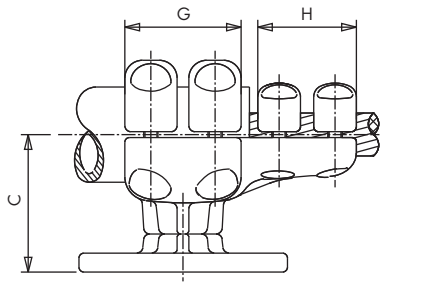
Insulator Type

| Dø | Eø | Fø |
|-----|-----|----|
| 108 | 76 | 14 |
| 158 | 127 | 18 |
| 265 | 225 | 18 |
| 265 | 254 | 18 |

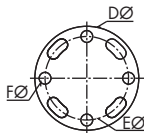
CONNECTOR UNION TUBE TO CABLE ON INSULATOR

EMPALME DE UNIÓN TUBO A CABLE MONTADO SOBRE AISLADOR

RACCORD JONCTION TUBE À CABLE SUR PILLARD



Base Detail



Insulator Type

| D \varnothing | E \varnothing | F \varnothing |
|-----------------|-----------------|-----------------|
| 108 | 76 | 14 |
| 158 | 127 | 18 |
| 265 | 225 | 18 |

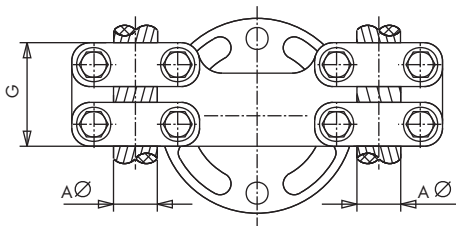
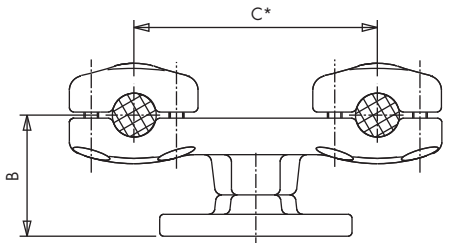
MPEBC

| Referencia Code Référence | mm. | | | | | Par de apriete Tightening torque Couple de serrage (kg.m) | |
|---------------------------------|-----------------|-----------------|-------|-----|-----|--------------------------------------------------------------------|---|
| | A \varnothing | B \varnothing | C | G | H | A | B |
| | MPEBC-5022 | 50 | 20-23 | 100 | 100 | 85 | 5 |
| MPEBC-5025 | 50 | 24-26 | 100 | 100 | 85 | 5 | 3 |
| MPEBC-5030 | 50 | 27-30 | 100 | 100 | 85 | 5 | 3 |
| MPEBC-6022 | 60 | 20-23 | 100 | 100 | 85 | 5 | 3 |
| MPEBC-6025 | 60 | 24-26 | 100 | 100 | 85 | 5 | 3 |
| MPEBC-6030 | 60 | 27-30 | 100 | 100 | 85 | 5 | 3 |
| MPEBC-8022 | 80 | 20-23 | 105 | 100 | 85 | 5 | 3 |
| MPEBC-8025 | 80 | 24-26 | 105 | 100 | 85 | 5 | 3 |
| MPEBC-8030 | 80 | 27-30 | 105 | 100 | 85 | 5 | 3 |
| MPEBC-10030 | 100 | 27-30 | 105 | 100 | 90 | 5 | 3 |
| MPEBC-10032 | 100 | 31-32 | 105 | 100 | 90 | 5 | 5 |
| MPEBC-10035 | 100 | 33-35 | 105 | 100 | 90 | 5 | 5 |
| MPEBC-12030 | 120 | 27-30 | 140 | 110 | 90 | 5 | 5 |
| MPEBC-12032 | 120 | 31-32 | 140 | 110 | 90 | 5 | 5 |
| MPEBC-12035 | 120 | 33-35 | 140 | 110 | 90 | 5 | 5 |
| MPEBC-15032 | 150 | 31-35 | 170 | 120 | 90 | 5 | 5 |
| MPEBC-15035 | 150 | 33-35 | 170 | 120 | 90 | 5 | 5 |
| MPEBC-15038 | 150 | 36-39 | 170 | 120 | 90 | 5 | 5 |
| MPEBC-15043 | 150 | 40-43 | 170 | 120 | 90 | 5 | 5 |

DUPLEX CABLES CONNECTOR ON INSULATOR

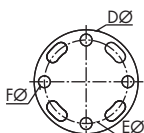
PORTACABLES DUPLEX MONTADO SOBRE AISLADOR

RACCORD CABLES DUPLEX SUR PILLARD



MPU

Base Detail



Insulator Type

| D \varnothing | E \varnothing | F \varnothing |
|-----------------|-----------------|-----------------|
| 108 | 76 | 14 |
| 158 | 127 | 18 |
| 265 | 225 | 18 |

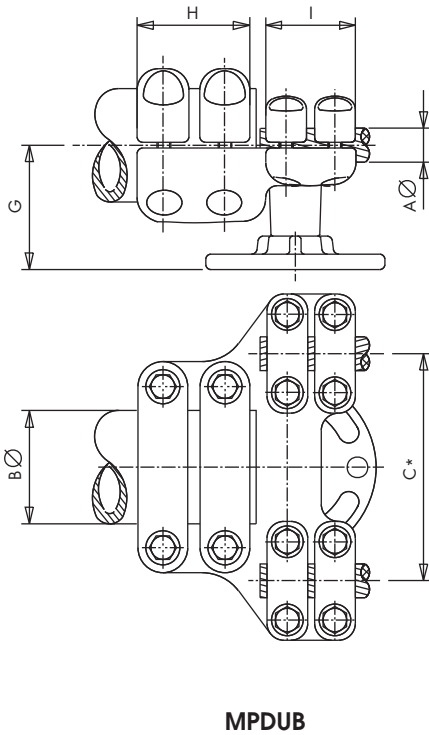
| Referencia Code Référence | mm. | | | | Par de apriete Tightening torque Couple de serrage (kg.m) | |
|---------------------------------|-----------------|-------|-----|-------------|--------------------------------------------------------------------|---|
| | A \varnothing | B | C* | G | A | B |
| | MPU.*-22 | 20-23 | 100 | see NOTE | 85 | 3 |
| MPU.*-25 | 24-26 | 100 | 85 | | 3 | |
| MPU.*-30 | 27-30 | 100 | 85 | | 3 | |
| MPU.*-32 | 31-32 | 100 | 90 | | 5 | |
| MPU.*-35 | 33-35 | 100 | 90 | | 5 | |
| MPU.*-38 | 36-39 | 100 | 90 | | 5 | |
| MPU.*-43 | 40-43 | 100 | 90 | | 5 | |

NOTE

- C*
- 1 = 100mm.
 - 15 = 150mm.
 - 2 = 200mm.
 - 3 = 300mm.
 - 33 = 330mm.
 - 4 = 400mm.
 - 45 = 450mm.

STRAIGHT CONNECTOR UNION TUBE TO DUPLEX CABLE ON INSULATOR
CONECTOR RECTO DE UNIÓN TUBO A CABLE DUPLEX MONTADO SOBRE AISLADOR

RACCORD DROIT JONCTION TUBE À CABLE DUPLEX SUR PILLARD

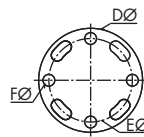


| Referencia Code Référence | mm. | | | | | | Par de apriete Tightening torque Couple de serrage (kg.m) | |
|---------------------------------|--------------|-------|-----|-------------|-----|-----|--------------------------------------------------------------------|---|
| | AØ | BØ | C* | G | H | I | A | B |
| | MPDUB.*-8030 | 27-30 | 80 | see NOTE | 105 | 100 | 90 | 3 |
| MPDUB.*-8032 | 31-32 | 80 | 105 | | 100 | 90 | 5 | 5 |
| MPDUB.*-8035 | 33-35 | 80 | 105 | | 100 | 90 | 5 | 5 |
| MPDUB.*-8038 | 36-39 | 80 | 105 | | 100 | 90 | 5 | 5 |
| MPDUB.*-8043 | 40-43 | 80 | 105 | | 100 | 90 | 5 | 5 |
| MPDUB.*-10030 | 27-30 | 100 | 105 | | 100 | 90 | 3 | 5 |
| MPDUB.*-10032 | 31-32 | 100 | 105 | | 100 | 90 | 5 | 5 |
| MPDUB.*-10035 | 33-35 | 100 | 105 | | 100 | 90 | 5 | 5 |
| MPDUB.*-10038 | 36-39 | 100 | 105 | | 100 | 90 | 5 | 5 |
| MPDUB.*-10043 | 40-43 | 100 | 105 | | 100 | 90 | 5 | 5 |
| MPDUB.*-12030 | 27-30 | 120 | 140 | | 110 | 90 | 5 | 7 |
| MPDUB.*-12032 | 31-32 | 120 | 140 | | 110 | 90 | 5 | 7 |
| MPDUB.*-12035 | 33-35 | 120 | 140 | | 110 | 90 | 5 | 7 |
| MPDUB.*-12038 | 36-39 | 120 | 140 | | 110 | 90 | 5 | 7 |
| MPDUB.*-12043 | 40-43 | 120 | 140 | | 110 | 90 | 5 | 7 |
| MPDUB.*-15032 | 31-32 | 150 | 170 | | 120 | 90 | 5 | 7 |
| MPDUB.*-15035 | 33-35 | 150 | 170 | | 120 | 90 | 5 | 7 |
| MPDUB.*-15038 | 36-39 | 150 | 170 | | 120 | 90 | 5 | 7 |
| MPDUB.*-15043 | 40-43 | 150 | 170 | | 120 | 90 | 5 | 7 |

NOTE

- C***
- 1 = 100mm.
 - 15 = 150mm.
 - 2 = 200mm.
 - 3 = 300mm.
 - 33 = 330mm.
 - 4 = 400mm.
 - 45 = 450mm.

Base Detail



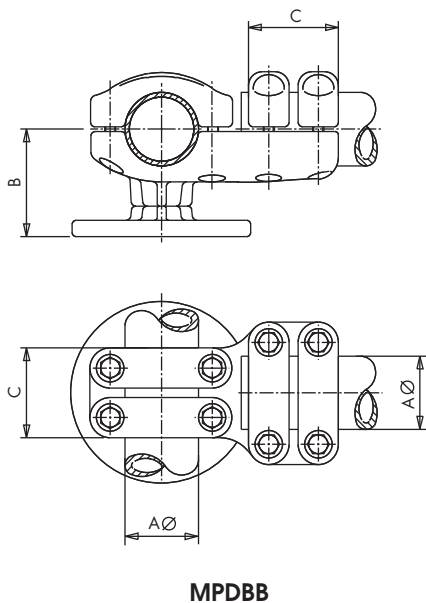
Insulator Type

| DØ | EØ | FØ |
|-----|-----|----|
| 108 | 76 | 14 |
| 158 | 127 | 18 |
| 265 | 225 | 18 |

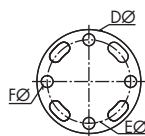
T CONNECTOR FOR TUBES (HORIZONTAL) ON INSULATOR

DERIVACIÓN EN T PARA TUBOS (POSICIÓN HORIZONTAL) MONTADO SOBRE AISLADOR

RACCORD EN T POUR TUBES (HORIZONTAL) SUR PILLARD



Base Detail



Insulator Type

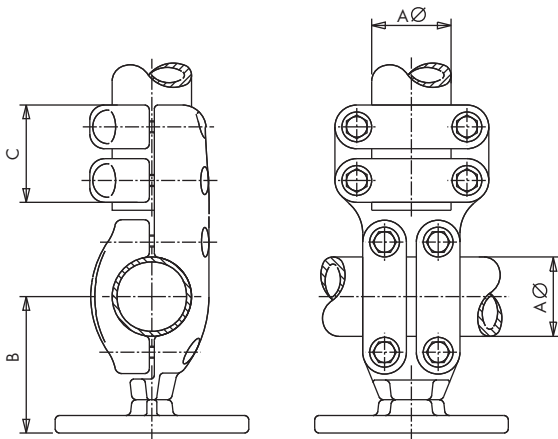
| DØ | EØ | FØ |
|-----|-----|----|
| 108 | 76 | 14 |
| 158 | 127 | 18 |
| 265 | 225 | 18 |

| Referencia Code Référence | mm. | | | Par de apriete Tightening torque Couple de serrage (kg.m) |
|---------------------------------|------------|-----|-----|--------------------------------------------------------------------|
| | AØ | B | C | |
| | MPDDB-5050 | 50 | 100 | 100 |
| MPDDB-6060 | 60 | 100 | 100 | 5 |
| MPDDB-8080 | 80 | 105 | 100 | 5 |
| MPDDB-100100 | 100 | 105 | 100 | 5 |
| MPDDB-120120 | 120 | 140 | 110 | 7 |
| MPDDB-150150 | 150 | 170 | 120 | 7 |

T CONNECTOR FOR TUBES (VERTICAL) ON INSULATOR

DERIVACIÓN EN T PARA TUBOS (POSICIÓN VERTICAL) MONTADO SOBRE AISLADOR

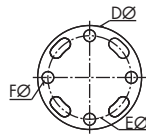
RACCORD EN T POUR TUBES (VERTICAL) SUR PILLARD



MPTBB

| Referencia Code Référence | mm. | | | Par de apriete Tightening torque Couple de serrage (kg.m) |
|---------------------------------|-----------------|-----|-----|--------------------------------------------------------------------|
| | A \varnothing | B | C | A |
| MPTBB-5050 | 50 | 100 | 100 | 5 |
| MPTBB-6060 | 60 | 100 | 100 | 5 |
| MPTBB-8080 | 80 | 105 | 100 | 5 |
| MPTBB-100100 | 100 | 105 | 100 | 5 |
| MPTBB-120120 | 120 | 140 | 110 | 7 |
| MPTBB-150150 | 150 | 170 | 120 | 7 |

Base Detail



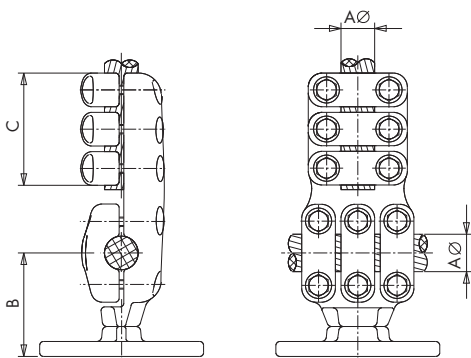
Insulator Type

| D \varnothing | E \varnothing | F \varnothing |
|-----------------|-----------------|-----------------|
| 108 | 76 | 14 |
| 158 | 127 | 18 |
| 265 | 225 | 18 |

T CONNECTOR FOR CABLES (VERTICAL) ON INSULATOR

DERIVACIÓN EN T PARA CABLES (POSICIÓN VERTICAL) MONTADO SOBRE AISLADOR

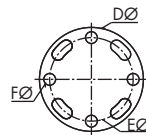
RACCORD EN T POUR CABLES (VERTICAL) SUR PILLARD



MPDCC3

| Referencia Code Référence | mm. | | | Par de apriete Tightening torque Couple de serrage (kg.m) |
|---------------------------------|-----------------|-----|-----|--------------------------------------------------------------------|
| | A \varnothing | B | C | A \varnothing |
| MPDCC3-3030 | 27-30 | 100 | 138 | 3 |
| MPDCC3-3232 | 31-32 | 100 | 138 | 5 |
| MPDCC3-3535 | 33-35 | 100 | 138 | 5 |
| MPDCC3-3838 | 36-39 | 100 | 138 | 5 |
| MPDCC3-4343 | 40-43 | 100 | 138 | 5 |

Base Detail



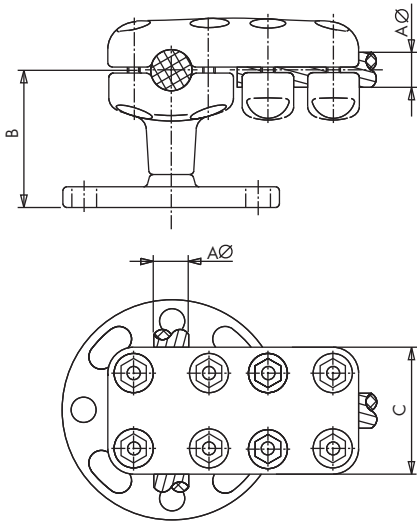
Insulator Type

| D \varnothing | E \varnothing | F \varnothing |
|-----------------|-----------------|-----------------|
| 108 | 76 | 14 |
| 158 | 127 | 18 |
| 265 | 225 | 18 |

T CONNECTOR FOR CABLES (HORIZONTAL) ON INSULATOR

DERIVACIÓN EN T PARA CABLES (POSICIÓN HORIZONTAL) MONTADO SOBRE AISLADOR

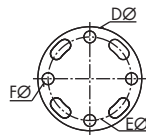
RACCORD EN T POUR CABLES (HORIZONTAL) SUR PILLARD



MPDCC

| Referencia Code Référence | mm. | | | Par de apriete Tightening torque Couple de serrage (kg.m) |
|---------------------------------|-------|-----|-----|--------------------------------------------------------------------|
| | Aø | B | C | |
| MPDCC-2222 | 20-23 | 100 | 92 | 3 |
| MPDCC-2525 | 24-26 | 100 | 92 | 3 |
| MPDCC-3030 | 27-30 | 100 | 92 | 3 |
| MPDCC-3232 | 31-32 | 100 | 107 | 5 |
| MPDCC-3535 | 33-35 | 100 | 107 | 5 |
| MPDCC-3838 | 36-39 | 100 | 107 | 5 |
| MPDCC-4343 | 40-43 | 100 | 107 | 5 |

Base Detail



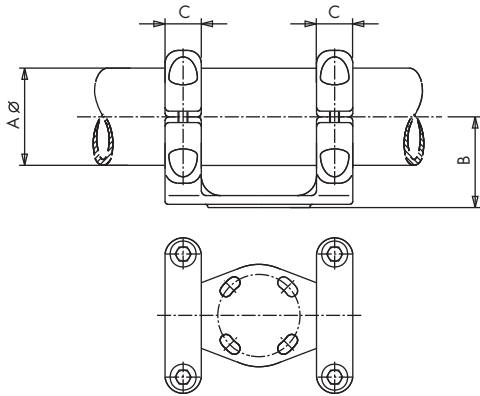
Insulator Type

| Dø | Eø | Fø |
|-----|-----|----|
| 108 | 76 | 14 |
| 158 | 127 | 18 |
| 265 | 225 | 18 |

UNION SUPPORT FOR TUBES ON INSULATOR

SOPORTE DE UNIÓN PARA TUBOS MONTADO SOBRE AISLADOR

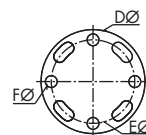
SUPPORT JONCTION DE TUBES SUR PILLARD



MPEBI

| Referencia Code Référence | mm. | | | Par de apriete Tightening torque Couple de serrage (kg.m) |
|---------------------------------|-----|-----|----|--------------------------------------------------------------------|
| | Aø | B | C | |
| MPEBI-80 | 80 | 105 | 48 | 5 |
| MPEBI-100 | 100 | 105 | 48 | 5 |
| MPEBI-120 | 120 | 140 | 56 | 7 |
| MPEBI-150 | 150 | 170 | 56 | 7 |

Base Detail



Insulator Type

| Dø | Eø | Fø |
|-----|-----|----|
| 108 | 76 | 14 |
| 158 | 127 | 18 |
| 265 | 225 | 18 |



MPETBB



MPU3C



300.001