

## MATERIALS

Cast bodies: Aluminum Alloy.  
Compression bodies: Aluminum - Aluminum Alloy

## PROTECTION AGAINST CORROSION

Hot dip galvanizing according to CSA-G164 and ASTM A153 standards.

## STANDARDS

All clamps are manufactured according to standard IEC 61284.  
Fasteners: galvanized steel, as per ASTM A325 and ASTM A563 standards.  
Cast items of aluminum alloy: EN-1706 equivalent to ANSI A413.0.  
Locking pins: stainless steel AISI 30

# SUSPENSION CLAMPS SERIES

## **Standard Suspension Clamps GS-XX Series**

To be used in distribution lines as well as medium-high voltage lines.

## **Corona Free Suspension Clamps GS-XX-AE Series**

Specially designed for very high voltage lines (or other voltage levels) in order to minimize Corona losses.

## **Corona Free Trunnion or Free-Centre clamps GST-XX Series**

Rotation point in the same axis as the conductor (or very close to it), which minimizes the conductor deformation due to oscillations.

Corona free design.

Recommended for high and very high voltage lines.

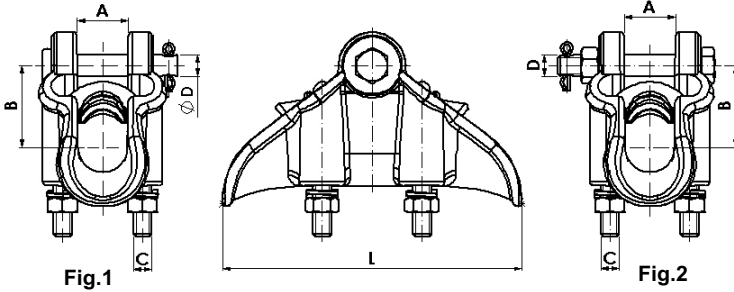
## **Armoured Grip Suspension Clamps GAS-XX Series**

Prevent static and dynamic efforts that are induced into conductors at the entries of the standard clamps.

Recommended in case of severe vibrations.

Optimum operation: output angles up to 30°.

# SUSPENSION CLAMPS



**Application:** Conductors AAAC, AAC, ACSR

**Material: Body:** Alloy A1. EN-1706 equivalent to ANSI A413.0.

**Bolt:** ASTM A325.

**Locking pins:** Stainless steel.

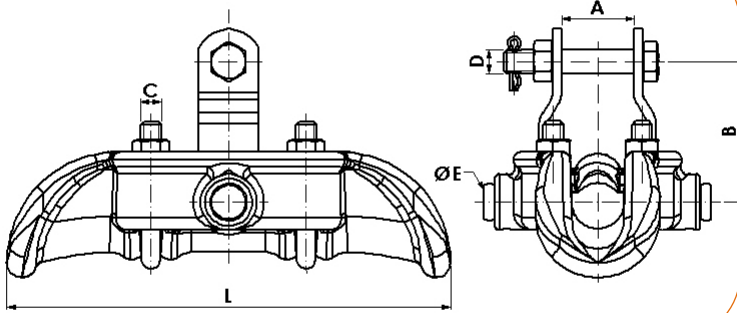
**Steel parts finish:** Hot dip galvanizing CSA-G164 / ASTM A153.

**Nut:** ASTM A563.

Reference	Figure	Ø Conductor (inch)		Dimensions (inch)					U-Bolts Nº	Tightening Torque (in-lb)	Ultimate Strength (lb)	Weight (lb)
		Min.	Max.	A	B	C	D	L				
GS-1/AM	Fig.1	0.20	0.47	0.75	1.61	3/8	5/8	5.51	2	260	5,500	1.01
GS-1T/AM	Fig.2	0.20	0.47	0.75	1.61	3/8	5/8	5.51	2	260	5,500	1.01
GS-2/AM	Fig.1	0.47	0.67	0.75	1.97	1/2	5/8	6.69	2	260	13,000	1.83
GS-2T/AM	Fig.2	0.47	0.67	0.75	1.97	1/2	5/8	6.69	2	260	13,000	1.83
GS-3/AM	Fig.1	0.67	0.91	1.06	2.13	1/2	5/8	7.48	2	350	17,000	2.20
GS-3T/AM	Fig.2	0.67	0.91	1.06	2.13	1/2	5/8	7.48	2	350	17,000	2.20
GS-4T/AM	Fig.2	0.91	1.10	1.16	2.01	1/2	5/8	7.48	2	300	18,000	2.43
GS-5T/AM	Fig.2	0.98	1.42	1.54	2.44	9/16	5/8	8.86	2	530	22,000	4.41
GS-5T/AM (EST)	Fig.2	0.98	1.42	1.54	2.44	9/16	5/8	8.86	2	530	27,000	4.41

**NOTE:** Stainless steel or specific fasteners can be provided (except connection screw to fitting string) upon request.

# FREE CENTER SUSPENSION CLAMPS



**Application:** Conductors AAAC, AAC, ACSR

**Material: Body:** Alloy A1. EN-1706 equivalent to ANSI A413.0.

**Bolt:** ASTM A325.

**Locking pins:** Stainless steel.

**Steel parts finish:** Hot dip galvanizing CSA-G164 / ASTM A153.

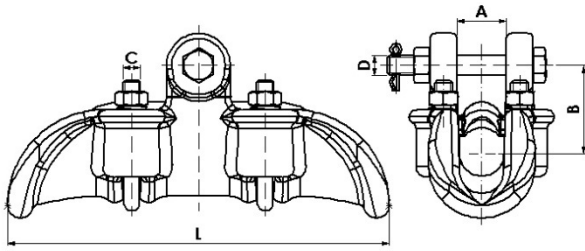
**Nut:** ASTM A563.

**Extension link:** Steel plate.

Reference	Ø Conductor (inch)		Dimensions (inch)					U-Bolts Nº	Tightening Torque (in-lb)	Ultimate Strength (lb)	Weight (lb)	
	Min.	Max.	A	B	C	D	E					L
GST-4/AM	0.67	1.02	1.57	3.74	1/2	5/8	5/8	10.83	2	350	22,000	5.29
GST-5/AM	0.91	1.38	1.93	3.74	9/16	5/8	5/8	11.81	2	530	27,000	6.28
GST-6/AM	1.38	1.85	2.28	3.74	9/16	5/8	5/8	12.99	2	530	27,000	6.61

**NOTE:** Stainless steel or specific fasteners can be provided (except connection screw to fitting string) upon request.

## CORONA FREE SUSPENSION CLAMPS



**Application:** Conductors AAAC, AAC, ACSR

**Material: Body:** Alloy A1. EN-1706 equivalent to ANSI A413.0.

**Bolt:** ASTM A325.

**Locking pins:** Stainless steel.

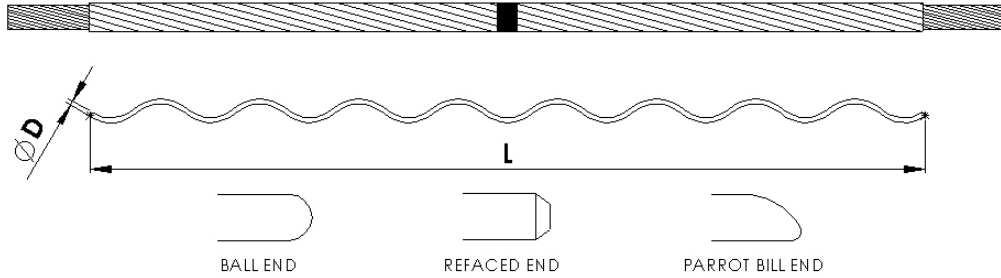
**Steel parts finish:** Hot dip galvanizing CSA-G164 / ASTM A153

**Nut:** ASTM A563.

Reference	Ø Conductor (inch)		Dimensions (inch)					U-Bolts	Tightening Torque (in-lb)	Ultimate Strength (lb)	Weight (lb)
	Min.	Max.	A	B	C	D	L	Nº			
GS-4-AE/AM	0.67	1.02	1.18	2.60	1/2	5/8	10.83	2	350	19,000	4.67
GS-5-AE/AM	1.02	1.38	1.54	2.76	9/16	5/8	11.81	2	530	22,000	5.64
GS-6-AE/AM	1.38	1.85	1.85	2.99	9/16	5/8	12.99	2	530	27,000	7.56
GS-7-AE/AM	1.81	2.24	2.28	2.99	9/16	5/8	12.20	2	530	27,000	8.60
GS-4-AE/AM (EST)	0.67	1.02	1.18	2.60	1/2	5/8	10.83	2	350	27,000	4.67
GS-5-AE/AM (EST)	1.02	1.38	1.54	2.76	9/16	5/8	11.81	2	530	27,000	5.64

**NOTE:** Stainless steel or specific fasteners can be provided (except connection screw to fitting string) upon request.

# ARMOR RODS



**Application:** Conductors AAAC, AAC, ACSR.  
**Material:** Alloy Al. according to UNE EN-50183 and IEC 60104 .

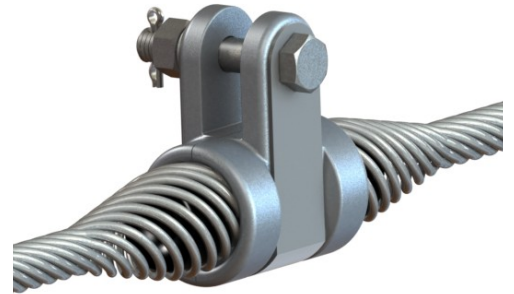
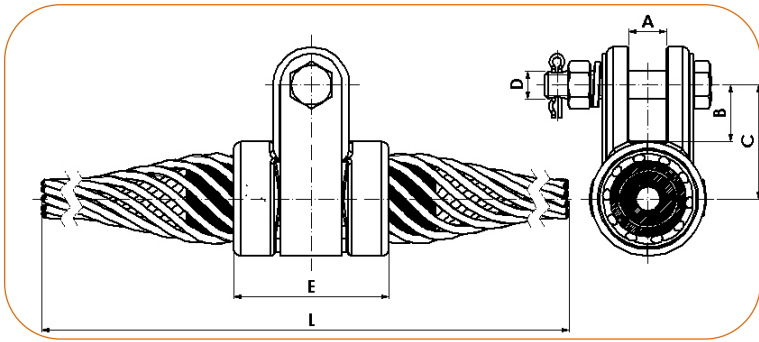
Reference	Ø Conductor (inch)		Dimensions (inch)		Nº Armor rods	Identification colour	Weight (lb)
	Min.	Max.	Ø D (Thread)	L			
VPAL 066-069	0.26	0.27	0.15	42.13	7	GREEN	0.53
VPAL 069-074	0.27	0.29	0.15	42.13	8	YELLOW	0.60
VPAL 078-083	0.31	0.33	0.14	44.09	9	RED	0.62
VPAL 083-088	0.33	0.35	0.15	46.06	9	BLUE	0.73
VPAL 088-093	0.35	0.37	0.15	48.03	9	GREEN	0.77
VPAL 093-099	0.37	0.39	0.15	50.00	9	BLACK	0.86
VPAL 099-105	0.39	0.41	0.17	51.97	9	YELLOW	1.08
VPAL 105-111	0.41	0.44	0.15	51.97	10	RED	0.93
VPAL 111-124	0.44	0.49	0.17	53.94	10	BLUE	1.25
VPAL 124-132	0.49	0.52	0.17	55.91	11	GREEN	1.42
VPAL132-140	0.52	0.55	0.17	57.87	11	RED	1.48
VPAL 140-148	0.55	0.58	0.18	59.84	11	YELLOW	1.81
VPAL 148-154	0.59	0.61	0.18	61.81	12	BLUE	2.04
VPAL 154-166	0.61	0.66	0.18	64.17	12	WHITE	2.12
VPAL 166-172	0.66	0.68	0.18	66.14	13	BLACK	2.37
VPAL 172-178	0.68	0.70	0.20	68.11	12	BLUE	2.83
VPAL 178-188	0.70	0.74	0.20	72.05	12	RED	3.00
VPAL 188-199	0.74	0.78	0.20	72.05	13	GREEN	3.24
VPAL 199-215	0.78	0.85	0.25	75.98	11	RED	4.35
VPAL 215-230	0.85	0.91	0.25	77.95	12	BLUE	4.85
VPAL 230-236	0.91	0.93	0.25	79.92	13	BLACK	5.40
VPAL 236-248	0.93	0.98	0.25	88.19	13	RED	5.95
VPAL 248-258	0.98	1.02	0.31	92.13	11	YELLOW	8.11
VPAL 258-263	1.02	1.04	0.31	94.09	12	BLACK	8.84
VPAL 263-279	1.04	1.10	0.31	96.06	12	GREEN	9.22
VPAL 279-289	1.10	1.14	0.31	100.00	12	GREEN	9.59
VPAL 289-307	1.14	1.21	0.31	100.00	13	RED	10.41
VPAL 307-337	1.21	1.33	0.36	100.00	12	BLACK	13.34
VPAL 337-353	1.33	1.39	0.36	100.00	13	GREEN	14.44
VPAL 353-366	1.39	1.44	0.36	100.00	13	RED	14.44
VPAL 366-385	1.44	1.52	0.36	100.00	14	BLUE	15.43

**NOTES:** State conductor lay direction. Code according to lay direction.

Rod finish will be defined by size and voltage level. Different rods can be provided to comply with specific requirements.

Rods for conductor Ø not listed above upon request.

# ARMORED GRIP SUSPENSION CLAMPS



**Application:** Conductors AAAC, AAC, ACSR.

**Material: Body:** Alloy A1. EN-1706 equivalent to ANSI A413.0.

**Armour rods:** Alloy A1. EN-50183 and IEC 60104 .

**Steel parts finish:** Hot dip galvanizing CSA-G164 / ASTM A153

**Bolt:** ASTM A325.

**Nut:** ASTM A563.

**Locking pins:** Stainless steel.

**Hinge:** Stainless steel.

Reference	Ø Conductor (inch)		Dimensions (inch)						Armor Rods		Ultimate Strength (lb)	Weight (lb)
	Min.	Max.	A	B	C	D	E	L	Ø Rods	Nº		
GAS-1/6,5/AM	0.24	0.26	0.79	1.18	2.20	5/8	2.56	25.98	0.15	8	12,000	1.70
GAS-1/7/AM	0.26	0.28	0.79	1.18	2.20	5/8	2.56	25.98	0.15	8	12,000	1.80
GAS-1/7,5/AM	0.28	0.30	0.79	1.18	2.20	5/8	2.56	25.98	0.15	8	12,000	1.80
GAS-1/8/AM	0.30	0.32	0.79	1.18	2.20	5/8	2.56	25.98	0.15	8	12,000	1.80
GAS-1/8,5/AM	0.32	0.34	0.79	1.18	2.20	5/8	2.56	25.98	0.15	9	12,000	1.83
GAS-1/9/AM	0.34	0.38	0.79	1.18	2.20	5/8	2.56	25.98	0.15	9	12,000	1.83
GAS-1/10/AM	0.38	0.42	0.79	1.18	2.20	5/8	2.56	29.53	0.15	10	12,000	1.96
GAS-1/11/AM	0.42	0.46	0.79	1.18	2.20	5/8	2.56	35.43	0.15	10	12,000	2.01
GAS-3/12/AM	0.46	0.49	0.87	1.30	2.60	5/8	3.54	39.37	0.18	9	17,000	3.51
GAS-3/13/AM	0.49	0.52	0.87	1.30	2.60	5/8	3.54	45.28	0.18	10	17,000	3.75
GAS-3/13,5/AM	0.52	0.54	0.87	1.30	2.60	5/8	3.54	45.28	0.18	10	17,000	3.75
GAS-3/14/AM	0.54	0.56	0.87	1.30	2.60	5/8	3.54	45.28	0.18	10	17,000	3.75
GAS-3/14,5/AM	0.56	0.58	0.87	1.30	2.60	5/8	3.54	45.28	0.18	11	17,000	3.86
GAS-3/15/AM	0.58	0.62	0.87	1.30	2.60	5/8	3.54	47.24	0.18	11	17,000	3.97
GAS-3/16/AM	0.62	0.66	0.87	1.30	2.60	5/8	3.54	50.00	0.18	12	17,000	4.08
GAS-4/17/AM	0.66	0.68	0.87	1.30	2.68	5/8	3.78	53.15	0.20	11	19,000	4.88
GAS-4/17,5/AM	0.68	0.70	0.87	1.30	2.68	5/8	3.78	53.94	0.20	12	19,000	5.09
GAS-4/18/AM	0.70	0.72	0.87	1.30	2.68	5/8	3.78	55.12	0.20	12	19,000	5.16
GAS-4/18,5/AM	0.72	0.74	0.87	1.30	2.68	5/8	3.78	55.12	0.20	12	19,000	5.16
GAS-4/19/AM	0.74	0.76	0.87	1.30	2.68	5/8	3.78	59.06	0.20	13	19,000	5.51
GAS-5/20/AM	0.76	0.80	0.87	1.30	2.76	5/8	4.53	64.96	0.25	11	22,000	6.64
GAS-5/21/AM	0.80	0.81	0.87	1.30	2.76	5/8	4.53	64.96	0.25	11	22,000	6.64
GAS-5/21,5/AM	0.82	0.83	0.87	1.30	2.76	5/8	4.53	66.14	0.25	12	22,000	7.01
GAS-5/22/AM	0.84	0.87	0.87	1.30	2.76	5/8	4.53	66.14	0.25	12	22,000	7.01
GAS-5/23/AM	0.87	0.91	0.87	1.30	2.76	5/8	4.53	66.14	0.25	12	22,000	7.01
GAS-6/24/AM	0.91	0.94	0.87	1.22	2.76	5/8	5.00	66.14	0.25	12	27,000	9.06
GAS-6/24,5/AM	0.94	0.95	0.87	1.22	2.76	5/8	5.00	68.90	0.25	13	27,000	9.61
GAS-6/25/AM	0.95	1.01	0.87	1.22	2.76	5/8	5.00	68.90	0.25	13	27,000	9.61
GAS-6/26/AM	1.01	1.05	0.87	1.22	2.76	5/8	5.00	78.74	0.25	14	27,000	10.49
GAS-7/27/AM	1.05	1.08	1.10	1.38	3.15	5/8	5.87	81.89	0.31	11	27,000	14.15
GAS-7/28/AM	1.08	1.12	1.10	1.38	3.15	5/8	5.87	81.89	0.31	12	27,000	15.04
GAS-7/29/AM	1.12	1.16	1.10	1.38	3.15	5/8	5.87	81.89	0.31	12	27,000	15.04
GAS-7/30/AM	1.16	1.20	1.10	1.38	3.15	5/8	5.87	81.89	0.31	12	27,000	15.04
GAS-7/31/AM	1.20	1.24	1.10	1.38	3.15	5/8	5.87	81.89	0.31	13	27,000	15.37
GAS-8/32/AM	1.24	1.28	1.14	1.18	3.15	5/8	5.98	88.19	0.36	11	27,000	19.44
GAS-8/33/AM	1.28	1.32	1.14	1.18	3.15	5/8	5.98	88.19	0.36	12	27,000	20.33
GAS-8/34/AM	1.32	1.36	1.14	1.18	3.15	5/8	5.98	88.19	0.36	12	27,000	20.33
GAS-8/35/AM	1.36	1.40	1.14	1.18	3.15	5/8	5.98	88.19	0.36	13	27,000	21.21
GAS-8/36/AM	1.40	1.44	1.14	1.18	3.15	5/8	5.98	88.19	0.36	13	27,000	21.21
GAS-8/37/AM	1.44	1.48	1.14	1.18	3.15	5/8	5.98	88.19	0.36	13	27,000	21.21

**NOTES:** State conductor lay direction. Code according to lay direction.

Rod finish will be defined by size and voltage level. Different rods can be provided to comply with specific requirements.

## ALUMINUM CONDUCTORS STEEL REINFORCED (ACSR)

Conductor				Suspension Clamps							
Code Name	Ø Ext. (inch)	Ø Core (inch)	Size (kcmil)	Strain Clamp	Suspension Clamp	Suspension Clamp +Armor rods	Corona Free Suspension Clamp	Corona Free Suspension Clamp +Armor rods	Center Free Suspension Clamp	Center Free Suspension Clamp +Armor rods	Armor Grip Suspension Clamp
AL-AW 93.26	0.49	0.30	184.11	GA-2(T)/AM	GS-2(T)/AM	GS-3(T)/AM VPAL 124-132	-	GS-4-AE/AM VPAL 124-132	-	GST-4/AM VPAL 124-132	GAS-3/12/AM
PIGEON	0.50	0.17	195.81	GA-2(T)/AM	GS-2(T)/AM	GS-3(T)/AM VPAL 124-132	-	GS-4-AE/AM VPAL 124-132	-	GST-4/AM VPAL 124-132	GAS-3/13/AM
PHLOX-94-1	0.50	0.33	166.25	GA-2(T)/AM	GS-2(T)/AM	GS-3(T)/AM VPAL 124-132	-	GS-4-AE/AM VPAL 124-132	-	GST-4/AM VPAL 124-132	GAS-3/13/AM
RAUMA	0.52	0.29	203.27	GA-2(T)/AM	GS-2(T)/AM	GS-3(T)/AM VPAL 124-132	-	GS-4-AE/AM VPAL 124-132	-	GST-4/AM VPAL 124-132	GAS-3/13/AM
LEGHORN	0.53	0.32	213.14	GA-2(T)/AM	GS-2(T)/AM	GS-3(T)/AM VPAL 132-140	-	GS-4-AE/AM VPAL 132-140	-	GST-4/AM VPAL 132-140	GAS-3/13,5/AM
95/15	0.54	0.20	216.50	GA-2(T)/AM	GS-2(T)/AM	GS-3(T)/AM VPAL 132-140	-	GS-4-AE/AM VPAL 132-140	-	GST-4/AM VPAL 132-140	GAS-3/13,5/AM
100-A1/S1A-6/1	0.54	0.18	230.31	GA-2(T)/AM	GS-2(T)/AM	GS-3(T)/AM VPAL 132-140	-	GS-4-AE/AM VPAL 132-140	-	GST-4/AM VPAL 132-140	GAS-3/14/AM
LA-110	0.55	0.24	229.32	GA-2(T)/AM	GS-2(T)/AM	GS-3(T)/AM VPAL 132-140	-	GS-4-AE/AM VPAL 132-140	-	GST-4/AM VPAL 132-140	GAS-3/14/AM
CROCUS-116.2	0.55	0.24	229.40	GA-2(T)/AM	GS-2(T)/AM	GS-3(T)/AM VPAL 132-140	-	GS-4-AE/AM VPAL 132-140	-	GST-4/AM VPAL 132-140	GAS-3/14/AM
CANNA-116.2	0.55	0.24	229.40	GA-2(T)/AM	GS-2(T)/AM	GS-3(T)/AM VPAL 132-140	-	GS-4-AE/AM VPAL 132-140	-	GST-4/AM VPAL 132-140	GAS-3/14/AM
DOG	0.56	0.19	233.86	GA-2(T)/AM	GS-2(T)/AM	GS-4T/AM VPAL 140-148	-	GS-4-AE/AM VPAL 140-148	-	GST-4/AM VPAL 140-148	GAS-3/14/AM
PENGUIN	0.56	0.19	246.89	GA-2(T)/AM	GS-2(T)/AM	GS-4T/AM VPAL 140-148	-	GS-4-AE/AM VPAL 140-148	-	GST-4/AM VPAL 140-148	GAS-3/14,5/AM
SPARVIERO	0.57	0.19	248.07	GA-2(T)/AM	GS-2(T)/AM	GS-4T/AM VPAL 140-148	-	GS-4-AE/AM VPAL 140-148	-	GST-4/AM VPAL 140-148	GAS-3/14,5/AM
GUINEA	0.57	0.34	251.72	GA-2(T)/AM	GS-2(T)/AM	GS-4T/AM VPAL 140-148	-	GS-4-AE/AM VPAL 140-148	-	GST-4/AM VPAL 140-148	GAS-3/14,5/AM
PERNICE	0.58	0.21	254.39	GA-2(T)/AM	GS-2(T)/AM	GS-4T/AM VPAL 140-148	-	GS-4-AE/AM VPAL 140-148	-	GST-4/AM VPAL 140-148	GAS-3/15/AM
SUSTRONG	0.58	0.25	257.74	GA-2(T)/AM	GS-2(T)/AM	GS-4T/AM VPAL 140-148	-	GS-4-AE/AM VPAL 140-148	-	GST-4/AM VPAL 140-148	GAS-3/15/AM
DOTTEREL	0.61	0.36	279.59	GA-2(T)/AM	GS-2(T)/AM	GS-4T/AM VPAL 140-148	-	GS-4-AE/AM VPAL 140-148	-	GST-4/AM VPAL 140-148	GAS-3/15/AM
120/20	0.61	0.22	279.06	GA-2(T)/AM	GS-2(T)/AM	GS-4T/AM VPAL 154-166	-	GS-4-AE/AM VPAL 154-166	-	GST-4/AM VPAL 154-166	GAS-3/15/AM
LA-145	0.62	0.27	290.31	GA-2(T)/AM	GS-2(T)/AM	GS-4T/AM VPAL 154-166	-	GS-4-AE/AM VPAL 154-166	-	GST-4/AM VPAL 154-166	GAS-3/16/AM
CROCUS-147.1	0.62	0.27	290.33	GA-2(T)/AM	GS-2(T)/AM	GS-4T/AM VPAL 154-166	-	GS-4-AE/AM VPAL 154-166	-	GST-4/AM VPAL 154-166	GAS-3/16/AM
PASTEL-147-1	0.62	0.27	290.33	GA-2(T)/AM	GS-2(T)/AM	GS-4T/AM VPAL 154-166	-	GS-4-AE/AM VPAL 154-166	-	GST-4/AM VPAL 154-166	GAS-3/16/AM
PHLOX-147-1	0.62	0.44	290.31	GA-2(T)/AM	GS-2(T)/AM	GS-4T/AM VPAL 154-166	-	GS-4-AE/AM VPAL 154-166	-	GST-4/AM VPAL 154-166	GAS-3/16/AM
LEOPARD	0.62	0.21	292.28	GA-2(T)/AM	GS-2(T)/AM	GS-4T/AM VPAL 154-166	-	GS-4-AE/AM VPAL 154-166	-	GST-4/AM VPAL 154-166	GAS-3/16/AM
OWL	0.63	0.21	301.38	GA-3(T)/AM	GS-2(T)/AM	GS-4T/AM VPAL 154-166	-	GS-4-AE/AM VPAL 154-166	-	GST-4/AM VPAL 154-166	GAS-3/16/AM
DORKING	0.63	0.38	302.03	GA-3(T)/AM	GS-2(T)/AM	GS-4T/AM VPAL 154-166	-	GS-4-AE/AM VPAL 154-166	-	GST-4/AM VPAL 154-166	GAS-3/16/AM
PARTRIDGE	0.64	0.24	310.16	GA-3(T)/AM	GS-2(T)/AM	GS-4T/AM VPAL 154-166	-	GS-4-AE/AM VPAL 154-166	-	GST-4/AM VPAL 154-166	GAS-3/16/AM
125/30	0.64	0.28	311.22	GA-3(T)/AM	GS-2(T)/AM	GS-4T/AM VPAL 154-166	-	GS-4-AE/AM VPAL 154-166	-	GST-4/AM VPAL 154-166	GAS-3/16/AM
DINGO	0.66	0.13	330.57	GA-3(T)/AM	GS-2(T)/AM	GS-4T/AM VPAL 166-172	-	GS-4-AE/AM VPAL 166-172	-	GST-4/AM VPAL 166-172	GAS-4/17/AM

# ALUMINUM CONDUCTORS STEEL REINFORCED (ACSR)

Conductor				Suspension Clamps							
Code Name	Ø Ext. (inch)	Ø Core (inch)	Size (kcmil)	Strain Clamp	Suspension Clamp	Suspension Clamp +Armor rods	Corona Free Suspension Clamp	Corona Free Suspension Clamp +Armor rods	Center Free Suspension Clamp	Center Free Suspension Clamp +Armor rods	Armor Grip Suspension Clamp
COCHIN	0.66	0.40	334.63	GA-3(T)/AM	GS-2(T)/AM	GS-4T/AM VPAL 166-172	-	GS-4-AE/AM VPAL 166-172	-	GST-4/AM VPAL- 166-172	GAS-4/17/AM
150/25	0.67	0.25	341.62	GA-3(T)/AM	GS-3(T)/AM	GS-4T/AM VPAL 166-172	GS-4-AE/AM	GS-5-AE/AM VPAL 166-172	GST-4/AM	GST-5/AM VPAL 166-172	GAS-4/17/AM
OSTRICH	0.68	0.25	348.74	GA-3(T)/AM	GS-3(T)/AM	GS-4T/AM VPAL 172-178	GS-4-AE/AM	GS-5-AE/AM VPAL 172-178	GST-4/AM	GST-5/AM VPAL 172-178	GAS-4/17,5/AM
MERLIN	0.68	0.14	355.10	GA-3(T)/AM	GS-3(T)/AM	GS-4T/AM VPAL 172-178	GS-4-AE/AM	GS-5-AE/AM VPAL 172-178	GST-4/AM	GST-5/AM VPAL 172-178	GAS-4/17,5/AM
LA-180	0.69	0.30	358.39	GA-3(T)/AM	GS-3(T)/AM	GS-4T/AM VPAL 172-178	GS-4-AE/AM	GS-5-AE/AM VPAL 172-178	GST-4/AM	GST-5/AM VPAL 172-178	GAS-4/17,5/AM
CROCUS-181.6	0.69	0.30	358.43	GA-3(T)/AM	GS-3(T)/AM	GS-4T/AM VPAL 172-178	GS-4-AE/AM	GS-5-AE/AM VPAL 172-178	GST-4/AM	GST-5/AM VPAL 172-178	GAS-4/17,5/AM
PASTEL-181.6	0.69	0.30	358.43	GA-3(T)/AM	GS-3(T)/AM	GS-4T/AM VPAL 172-178	GS-4-AE/AM	GS-5-AE/AM VPAL 172-178	GST-4/AM	GST-5/AM VPAL 172-178	GAS-4/17,5/AM
115/67	0.69	0.41	360.76	GA-3(T)/AM	GS-3(T)/AM	GS-4T/AM VPAL 172-178	GS-4-AE/AM	GS-5-AE/AM VPAL 172-178	GST-4/AM	GST-5/AM VPAL 172-178	GAS-4/17,5/AM
PIPER	0.70	0.30	370.00	GA-3(T)/AM	GS-3(T)/AM	GS-5T/AM VPAL 172-178	GS-4-AE/AM	GS-5-AE/AM VPAL 172-178	GST-4/AM	GST-5/AM VPAL 172-178	GAS-4/18/AM
WOLF	0.71	0.28	384.64	GA-3(T)/AM	GS-3(T)/AM	GS-5T/AM VPAL 178-188	GS-4-AE/AM	GS-5-AE/AM VPAL 178-188	GST-4/AM	GST-5/AM VPAL 178-188	GAS-4/18/AM
BRAHMA	0.71	0.49	383.95	GA-3(T)/AM	GS-3(T)/AM	GS-5T/AM VPAL 178-188	GS-4-AE/AM	GS-5-AE/AM VPAL 178-188	GST-4/AM	GST-5/AM VPAL 178-188	GAS-4/18/AM
LINNET	0.72	0.27	391.27	GA-3(T)/AM	GS-3(T)/AM	GS-5T/AM VPAL 178-188	GS-4-AE/AM	GS-5-AE/AM VPAL 178-188	GST-4/AM	GST-5/AM VPAL 178-188	GAS-4/18,5/AM
ORIOLE	0.74	0.32	414.95	GA-3(T)/AM	GS-3(T)/AM	GS-5T/AM VPAL 188-199	GS-4-AE/AM	GS-5-AE/AM VPAL 188-199	GST-4/AM	GST-5/AM VPAL 188-199	GAS-4/19/AM
170/40	0.74	0.32	418.19	GA-3(T)/AM	GS-3(T)/AM	GS-5T/AM VPAL 188-199	GS-4-AE/AM	GS-5-AE/AM VPAL 188-199	GST-4/AM	GST-5/AM VPAL 188-199	GAS-4/19/AM
185/30	0.75	0.28	421.54	GA-3(T)/AM	GS-3(T)/AM	GS-5T/AM VPAL 188-199	GS-4-AE/AM	GS-5-AE/AM VPAL 188-199	GST-4/AM	GST-5/AM VPAL 188-199	GAS-4/19/AM
ZIGOLO	0.76	0.28	438.89	GA-3(T)/AM	GS-3(T)/AM	GS-5T/AM VPAL 188-199	GS-4-AE/AM	GS-5-AE/AM VPAL 188-199	GST-4/AM	GST-5/AM VPAL 188-199	GAS-5/20/AM
LYNX	0.77	0.33	446.41	GA-3(T)/AM	GS-3(T)/AM	GS-5T/AM VPAL 188-199	GS-4-AE/AM	GS-5-AE/AM VPAL 188-199	GST-4/AM	GST-5/AM VPAL 188-199	GAS-5/20/AM
CROCUS-228	0.77	0.33	449.61	GA-3(T)/AM	GS-3(T)/AM	GS-5T/AM VPAL 188-199	GS-4-AE/AM	GS-5-AE/AM VPAL 188-199	GST-4/AM	GST-5/AM VPAL 188-199	GAS-5/20/AM
BRANT	0.77	0.26	449.08	GA-3(T)/AM	GS-3(T)/AM	GS-5T/AM VPAL 188-199	GS-4-AE/AM	GS-5-AE/AM VPAL 188-199	GST-4/AM	GST-5/AM VPAL 188-199	GAS-5/20/AM
IBIS	0.78	0.29	462.18	GA-3(T)/AM	GS-3(T)/AM	GS-5T/AM VPAL 188-199	GS-4-AE/AM	GS-5-AE/AM VPAL 188-199	GST-4/AM	GST-5/AM VPAL 188-199	GAS-5/20/AM
210/35	0.80	0.29	479.96	GA-3(T)/AM	GS-3(T)/AM	GS-5T/AM VPAL 199-215	GS-4-AE/AM	GS-5-AE/AM VPAL 199-215	GST-4/AM	GST-5/AM VPAL 199-215	GAS-5/21/AM
LARK	0.80	0.34	490.20	GA-3(T)/AM	GS-3(T)/AM	GS-5T/AM VPAL 199-215	GS-4-AE/AM	GS-5-AE/AM VPAL 199-215	GST-4/AM	GST-5/AM VPAL 199-215	GAS-5/21/AM
PELICAN	0.81	0.16	503.45	GA-3(T)/AM	GS-3(T)/AM	GS-5T/AM VPAL 199-215	GS-4-AE/AM	GS-5-AE/AM VPAL 199-215	GST-4/AM	GST-5/AM VPAL 199-215	GAS-5/21/AM
PANTHER	0.83	0.35	516.08	GA-3(T)/AM	GS-3(T)/AM	GS-5T/AM VPAL 199-215	GS-4-AE/AM	GS-5-AE/AM VPAL 199-215	GST-4/AM	GST-5/AM VPAL 199-215	GAS-5/21,5/AM
230/30	0.83	0.28	514.50	GA-3(T)/AM	GS-3(T)/AM	GS-5T/AM VPAL 199-215	GS-4-AE/AM	GS-5-AE/AM VPAL 199-215	GST-4/AM	GST-5/AM VPAL 199-215	GAS-5/21,5/AM
210/50	0.83	0.35	516.27	GA-3(T)/AM	GS-3(T)/AM	GS-5T/AM VPAL 199-215	GS-4-AE/AM	GS-5-AE/AM VPAL 199-215	GST-4/AM	GST-5/AM VPAL 199-215	GAS-5/21,5/AM
TOUCAN	0.83	0.25	523.81	GA-3(T)/AM	GS-3(T)/AM	GS-5T/AM VPAL 199-215	GS-4-AE/AM	GS-5-AE/AM VPAL 199-215	GST-4/AM	GST-5/AM VPAL 199-215	GAS-5/21,5/AM
FLICKER	0.85	0.28	538.71	GA-3(T)/AM	GS-3(T)/AM	GS-5T/AM VPAL 199-215	GS-4-AE/AM	GS-5-AE/AM VPAL 199-215	GST-4/AM	GST-5/AM VPAL 199-215	GAS-5/22/AM



## ALUMINUM CONDUCTORS STEEL REINFORCED (ACSR)

Conductor				Suspension Clamps							
Code Name	Ø Ext. (inch)	Ø Core (inch)	Size (kcmil)	Strain Clamp	Suspension Clamp	Suspension Clamp +Armor rods	Corona Free Suspension Clamp	Corona Free Suspension Clamp +Armor rods	Center Free Suspension Clamp	Center Free Suspension Clamp +Armor rods	Armor Grip Suspension Clamp
HAWK (LA-280)	0.86	0.32	554.76	GA-3(T)/AM	GS-3(T)/AM	GS-5T/AM VPAL 215-230	GS-4-AE/AM	GS-5-AE/AM VPAL 215-230	GST-4/AM	GST-5/AM VPAL 215-230	GAS-5/22/AM
240/40	0.86	0.32	557.52	GA-3(T)/AM	GS-3(T)/AM	GS-5T/AM VPAL 215-230	GS-4-AE/AM	GS-5-AE/AM VPAL 215-230	GST-4/AM	GST-5/AM VPAL 215-230	GAS-5/22/AM
LA-250	0.87	0.37	569.07	GA-4T/AM	GS-3(T)/AM	GS-5T/AM VPAL 215-230	GS-4-AE/AM	GS-5-AE/AM VPAL 215-230	GST-4/AM	GST-5/AM VPAL 215-230	GAS-5/22/AM
CROCUS-288	0.87	0.37	569.07	GA-4T/AM	GS-3(T)/AM	GS-5T/AM VPAL 215-230	GS-4-AE/AM	GS-5-AE/AM VPAL 215-230	GST-4/AM	GST-5/AM VPAL 215-230	GAS-5/22/AM
PASTEL-288	0.87	0.37	569.07	GA-4T/AM	GS-3(T)/AM	GS-5T/AM VPAL 215-230	GS-4-AE/AM	GS-5-AE/AM VPAL 215-230	GST-4/AM	GST-5/AM VPAL 215-230	GAS-5/22/AM
OSPREY	0.88	0.18	587.48	GA-4T/AM	GS-3(T)/AM	GS-5T/AM VPAL 215-230	GS-4-AE/AM	GS-6-AE/AM VPAL 215-230	GST-4/AM	GST-6/AM VPAL 215-230	GAS-5/23/AM
265/35	0.88	0.29	587.72	GA-4T/AM	GS-3(T)/AM	GS-5T/AM VPAL 215-230	GS-4-AE/AM	GS-6-AE/AM VPAL 215-230	GST-4/AM	GST-6/AM VPAL 215-230	GAS-5/23/AM
SAPSUCKER	0.90	0.26	611.16	GA-4T/AM	GS-3(T)/AM	GS-5T/AM VPAL 215-230	GS-4-AE/AM	GS-6-AE/AM VPAL 215-230	GST-4/AM	GST-6/AM VPAL 215-230	GAS-5/23/AM
HERON	0.90	0.39	616.63	GA-4T/AM	GS-3(T)/AM	GS-5T/AM VPAL 215-230	GS-4-AE/AM	GS-6-AE/AM VPAL 215-230	GST-4/AM	GST-6/AM VPAL 215-230	GAS-5/23/AM
HEN	0.88	0.38	588.25	GA-4T/AM	GS-3(T)/AM	GS-5T/AM VPAL 215-230	GS-4-AE/AM	GS-6-AE/AM VPAL 215-230	GST-4/AM	GST-6/AM VPAL 215-230	GAS-5/23/AM
PARAKEET	0.91	0.30	628.73	GA-4T/AM	GS-4T/AM	GS-5T/AM VPAL 230-236	GS-4-AE/AM	GS-6-AE/AM VPAL 230-236	GST-4/AM	GST-6/AM VPAL 230-236	GAS-6/24/AM
BEAR	0.92	0.40	642.58	GA-4T/AM	GS-4T/AM	-	GS-4-AE/AM	GS-6-AE/AM VPAL 230-236	GST-4/AM	GST-6/AM VPAL 230-236	GAS-6/24/AM
DOVE	0.93	0.34	647.20	GA-4T/AM	GS-4T/AM	-	GS-4-AE/AM	GS-6-AE/AM VPAL 230-236	GST-4/AM	GST-6/AM VPAL 230-236	GAS-6/24/AM
300/39	0.94	0.31	670.21	GA-4T/AM	GS-4T/AM	-	GS-4-AE/AM	GS-6-AE/AM VPAL 236-248	GST-4/AM	GST-6/AM VPAL 236-248	GAS-6/24,5/AM
DUCK	0.95	0.32	679.88	GA-4T/AM	GS-4T/AM	-	GS-4-AE/AM	GS-6-AE/AM VPAL 236-248	GST-4/AM	GST-6/AM VPAL 236-248	GAS-6/24,5/AM
PEACOCK	0.95	0.32	683.47	GA-4T/AM	GS-4T/AM	-	GS-4-AE/AM	GS-6-AE/AM VPAL 236-248	GST-4/AM	GST-6/AM VPAL 236-248	GAS-6/24,5/AM
EAGLE	0.95	0.41	686.41	GA-4T/AM	GS-4T/AM	-	GS-4-AE/AM	GS-6-AE/AM VPAL 236-248	GST-4/AM	GST-6/AM VPAL 236-248	GAS-6/25/AM
300/50	0.96	0.35	698.04	GA-4T/AM	GS-4T/AM	-	GS-4-AE/AM	GS-6-AE/AM VPAL 236-248	GST-4/AM	GST-6/AM VPAL 236-248	GAS-6/25/AM
340/30	0.98	0.28	728.43	GA-4T/AM	GS-4T/AM	-	GS-4-AE/AM	GS-6-AE/AM VPAL 248-258	GST-4/AM	GST-6/AM VPAL 248-258	GAS-6/25/AM
GROSBEAK	0.99	0.36	739.50	GA-4T/AM	GS-4T/AM	-	GS-4-AE/AM	GS-6-AE/AM VPAL 248-258	GST-4/AM	GST-6/AM VPAL 248-258	GAS-6/25/AM
330/53	0.99	0.36	739.72	GA-4T/AM	GS-4T/AM	-	GS-4-AE/AM	GS-6-AE/AM VPAL 248-258	GST-4/AM	GST-6/AM VPAL 248-258	GAS-6/25/AM
TEAL	0.99	0.43	742.93	GA-4T/AM	GS-4T/AM	-	GS-4-AE/AM	GS-6-AE/AM VPAL 248-258	GST-4/AM	GST-6/AM VPAL 248-258	GAS-6/25/AM
GULL (LA-380)	1.00	0.33	751.91	GA-4T/AM	GS-4T/AM	-	GS-4-AE/AM	GS-6-AE/AM VPAL 248-258	GST-4/AM	GST-6/AM VPAL 248-258	GAS-6/25/AM
FLAMINGO	1.00	0.33	753.00	GA-4T/AM	GS-4T/AM	-	GS-4-AE/AM	GS-6-AE/AM VPAL 248-258	GST-4/AM	GST-6/AM VPAL 248-258	GAS-6/25/AM
EGRET	1.02	0.44	781.14	GA-4T/AM	GS-4T/AM	-	GS-4-AE/AM	GS-6-AE/AM VPAL 258-263	GST-4/AM	GST-6/AM VPAL 258-263	GAS-6/26/AM
CROW	1.03	0.34	808.26	GA-4T/AM	GS-4T/AM	-	GS-5-AE/AM	GS-6-AE/AM VPAL 258-263	GST-5/AM	GST-6/AM VPAL 258-263	GAS-6/26/AM
STILT	1.04	0.34	808.26	GA-4T/AM	GS-4T/AM	-	GS-5-AE/AM	GS-6-AE/AM VPAL 263-279	GST-5/AM	GST-6/AM VPAL 263-279	GAS-6/26/AM
CROCUS-412	1.04	0.47	812.44	GA-4T/AM	GS-4T/AM	-	GS-5-AE/AM	GS-6-AE/AM VPAL 263-279	GST-5/AM	GST-6/AM VPAL 263-279	GAS-6/26/AM

## ALUMINUM CONDUCTORS STEEL REINFORCED (ACSR)

Conductor				Suspension Clamps							
Code Name	Ø Ext. (inch)	Ø Core (inch)	Size (kcmil)	Strain Clamp	Suspension Clamp	Suspension Clamp +Armor rods	Corona Free Suspension Clamp	Corona Free Suspension Clamp +Armor rods	Center Free Suspension Clamp	Center Free Suspension Clamp +Armor rods	Armor Grip Suspension Clamp
360/57	1.05	0.39	824.03	GA-4T/AM	GS-4T/AM	-	GS-5-AE/AM	GS-6-AE/AM VPAL 263-279	GST-5/AM	GST-6/AM VPAL 263-279	GAS-6/26/AM
385/35	1.05	0.29	829.08	GA-4T/AM	GS-4T/AM	-	GS-5-AE/AM	GS-6-AE/AM VPAL 263-279	GST-5/AM	GST-6/AM VPAL 263-279	GAS-6/26/AM
STARLING	1.05	0.39	831.70	GA-4T/AM	GS-4T/AM	-	GS-5-AE/AM	GS-6-AE/AM VPAL 263-279	GST-5/AM	GST-6/AM VPAL 263-279	GAS-6/26/AM
BISON	1.06	0.35	851.18	GA-4T/AM	GS-4T/AM	-	GS-5-AE/AM	GS-6-AE/AM VPAL 263-279	GST-5/AM	GST-6/AM VPAL 263-279	GAS-7/27/AM
380/50	1.06	0.35	851.58	GA-4T/AM	GS-4T/AM	-	GS-5-AE/AM	GS-6-AE/AM VPAL 263-279	GST-5/AM	GST-6/AM VPAL 263-279	GAS-7/27/AM
REDWING	1.08	0.46	878.53	GA-4T/AM	GS-4T/AM	-	GS-5-AE/AM	GS-6-AE/AM VPAL 263-279	GST-5/AM	GST-6/AM VPAL 263-279	GAS-7/27/AM
CONDOR (LA-455)	1.09	0.36	896.97	GA-4T/AM	GS-4T/AM	-	GS-5-AE/AM	GS-6-AE/AM VPAL 263-279	GST-5/AM	GST-6/AM VPAL 263-279	GAS-7/28/AM
DRAKE	1.11	0.41	924.50	GA-4T/AM	GS-5T/AM	-	GS-5-AE/AM	GS-6-AE/AM VPAL 279-289	GST-5/AM	GST-6/AM VPAL 279-289	GAS-7/28/AM
ZEBRA	1.13	0.38	956.17	GA-4T/AM	GS-5T/AM	-	GS-5-AE/AM	GS-6-AE/AM VPAL 279-289	GST-5/AM	GST-6/AM VPAL 279-289	GAS-7/29/AM
450/40	1.13	0.32	963.48	GA-4T/AM	GS-5T/AM	-	GS-5-AE/AM	GS-6-AE/AM VPAL 279-289	GST-5/AM	GST-6/AM VPAL 279-289	GAS-7/29/AM
435/55	1.13	0.38	968.21	GA-4T/AM	GS-5T/AM	-	GS-5-AE/AM	GS-6-AE/AM VPAL 279-289	GST-5/AM	GST-6/AM VPAL 279-289	GAS-7/29/AM
MALLARD	1.14	0.49	956.59	GA-4T/AM	GS-5T/AM	-	GS-5-AE/AM	GS-6-AE/AM VPAL 289-307	GST-5/AM	GST-6/AM VPAL 289-307	GAS-7/29/AM
CRANE	1.14	0.38	988.10	GA-4T/AM	GS-5T/AM	-	GS-5-AE/AM	GS-6-AE/AM VPAL 289-307	GST-5/AM	GST-6/AM VPAL 289-307	GAS-7/29/AM
CANARY	1.16	0.39	1016.68	GA-4T/AM	GS-5T/AM	-	GS-5-AE/AM	GS-6-AE/AM VPAL 289-307	GST-5/AM	GST-6/AM VPAL 289-307	GAS-7/30/AM
RAIL	1.17	0.29	1020.00	GA-4T/AM	GS-5T/AM	-	GS-5-AE/AM	GS-6-AE/AM VPAL 289-307	GST-5/AM	GST-6/AM VPAL 289-307	GAS-7/30/AM
495/35	1.18	0.29	1042.42	GA-4T/AM	GS-5T/AM	-	GS-5-AE/AM	GS-6-AE/AM VPAL 289-307	GST-5/AM	GST-6/AM VPAL 289-307	GAS-7/30/AM
CAMEL	1.19	0.40	1059.39	GA-4T/AM	GS-5T/AM	-	GS-5-AE/AM	GS-6-AE/AM VPAL 289-307	GST-5/AM	GST-6/AM VPAL 289-307	GAS-7/30/AM
CARDINAL (LA-545)	1.20	0.40	1080.11	GA-4T/AM	GS-5T/AM	-	GS-5-AE/AM	GS-6-AE/AM VPAL 289-307	GST-5/AM	GST-6/AM VPAL 289-307	GAS-7/30/AM
490/65	1.20	0.40	1093.14	GA-4T/AM	GS-5T/AM	-	GS-5-AE/AM	GS-6-AE/AM VPAL 289-307	GST-5/AM	GST-6/AM VPAL 289-307	GAS-7/31/AM
510/45	1.21	0.34	1096.29	GA-4T/AM	GS-5T/AM	-	GS-5-AE/AM	GS-6-AE/AM VPAL 289-307	GST-5/AM	GST-6/AM VPAL 289-307	GAS-7/31/AM
CURLEW	1.25	0.42	1167.44	GA-5T/AM	GS-5T/AM	-	GS-5-AE/AM	GS-7-AE/AM VPAL 307-337	GST-5/AM	-	GAS-8/32/AM
ZAMBEZE	1.25	0.27	1173.26	GA-5T/AM	GS-5T/AM	-	GS-5-AE/AM	GS-7-AE/AM VPAL 307-337	GST-5/AM	-	GAS-8/32/AM
BLUEJAY	1.26	0.31	1189.96	GA-5T/AM	GS-5T/AM	-	GS-5-AE/AM	GS-7-AE/AM VPAL 307-337	GST-5/AM	-	GAS-8/32/AM
570/40	1.27	0.32	1204.44	GA-5T/AM	GS-5T/AM	-	GS-5-AE/AM	GS-7-AE/AM VPAL 307-337	GST-5/AM	-	GAS-8/32/AM
560/50	1.27	0.35	1206.22	GA-5T/AM	GS-5T/AM	-	GS-5-AE/AM	GS-7-AE/AM VPAL 307-337	GST-5/AM	-	GAS-8/32/AM
PHLOX-612	1.27	0.52	1207.36	GA-5T/AM	GS-5T/AM	-	GS-5-AE/AM	GS-7-AE/AM VPAL 307-337	GST-5/AM	-	GAS-8/32/AM
550/70	1.28	0.43	1226.15	GA-5T/AM	GS-5T/AM	-	GS-5-AE/AM	GS-7-AE/AM VPAL 307-337	GST-5/AM	-	GAS-8/32/AM
BUNTING	1.30	0.33	1274.52	GA-5T/AM	GS-5T/AM	-	GS-5-AE/AM	GS-7-AE/AM VPAL 307-337	GST-5/AM	-	GAS-8/33/AM

## ALUMINUM CONDUCTORS STEEL REINFORCED (ACSR)

Conductor				Suspension Clamps							
Code Name	Ø Ext. (inch)	Ø Core (inch)	Size (kcmil)	Strain Clamp	Suspension Clamp	Suspension Clamp +Armor rods	Corona Free Suspension Clamp	Corona Free Suspension Clamp +Armor rods	Center Free Suspension Clamp	Center Free Suspension Clamp +Armor rods	Armor Grip Suspension Clamp
FINCH (LA-635)	1.29	0.43	1058.99	GA-5T/AM	GS-5T/AM	-	GS-5-AE/AM	GS-7-AE/AM VPAL 307-337	GST-5/AM	-	GAS-8/33/AM
SCISSORTAIL	1.33	0.29	1337.40	GA-5T/AM	GS-5T/AM	-	GS-5-AE/AM	GS-7-AE/AM VPAL 337-353	GST-5/AM	-	GAS-8/34/AM
GRACKLE	1.34	0.45	1343.65	GA-5T/AM	GS-5T/AM	-	GS-5-AE/AM	GS-7-AE/AM VPAL 337-353	GST-5/AM	-	GAS-8/34/AM
632/45	1.34	0.34	1336.87	GA-5T/AM	GS-5T/AM	-	GS-5-AE/AM	GS-7-AE/AM VPAL 337-353	GST-5/AM	-	GAS-8/34/AM
BITTERN	1.35	0.34	1359.82	GA-5T/AM	GS-5T/AM	-	GS-5-AE/AM	GS-7-AE/AM VPAL 337-353	GST-5/AM	-	GAS-8/34/AM
PHEASANT	1.38	0.46	1433.15	GA-5T/AM	GS-5T/AM	-	GS-6-AE/AM	GS-7-AE/AM VPAL 337-353	GST-6/AM	-	GAS-8/35/AM
DIPPER	1.38	0.34	1444.50	GA-5T/AM	GS-5T/AM	-	GS-6-AE/AM	GS-7-AE/AM VPAL 337-353	GST-6/AM	-	GAS-8/35/AM
680/85	1.42	0.47	1509.35	GA-5T/AM	GS-5T/AM	-	GS-6-AE/AM	GS-7-AE/AM VPAL 353-366	GST-6/AM	-	GAS-8/36/AM
MARTIN	1.42	0.47	1522.67	GA-5T/AM	-	-	GS-6-AE/AM	GS-7-AE/AM VPAL 353-366	GST-6/AM	-	GAS-8/36/AM
BOBOLINK	1.43	0.36	1530.31	GA-5T/AM	-	-	GS-6-AE/AM	GS-7-AE/AM VPAL 353-366	GST-6/AM	-	GAS-8/36/AM
NUTHATCH	1.46	0.37	1614.84	GA-5T/AM	-	-	GS-6-AE/AM	GS-7-AE/AM VPAL 366-385	GST-6/AM	-	GAS-8/37/AM
PLOVER	1.47	0.49	1612.31	GA-5T/AM	-	-	GS-6-AE/AM	GS-7-AE/AM VPAL 366-385	GST-6/AM	-	GAS-8/37/AM
LAPWING	1.50	0.38	1699.52	GA-5T/AM	-	-	GS-6-AE/AM	GS-7-AE/AM VPAL 366-385	GST-6/AM	-	-
PARROT	1.51	0.50	1701.55	GA-5T/AM	-	-	GS-6-AE/AM	GS-7-AE/AM VPAL 366-385	GST-6/AM	-	-
FALCON	1.55	0.52	1791.59	-	-	-	GS-6-AE/AM	-	GST-6/AM	-	-
CHUKAR	1.68	0.44	1927.54	-	-	-	GS-6-AE/AM	-	GST-6/AM	-	-

## ALL ALUMINUM CONDUCTORS (AAC)

Conductor			Suspension Clamps							
Code Name	Ø Ext. (inch)	Size (kcmil)	Strain Clamp	Suspension Clamp	Suspension Clamp +Armor rods	Corona Free Suspension Clamp	Corona Free Suspension Clamp +Armor rods	Center Free Suspension Clamp	Center Free Suspension Clamp +Armor rods	Armor Grip Suspension Clamp
AAC-93.3	0.49	184.07	GA-2(T)/AM	GS-2(T)/AM	GS-3(T)/AM VPAL 124-132	-	GS-4-AE/AM VPAL 124-132	-	GST-4/AM VPAL 124-132	GAS-3/12/AM
AAC-95	0.49	184.07	GA-2(T)/AM	GS-2(T)/AM	GS-3(T)/AM VPAL 124-132	-	GS-4-AE/AM VPAL 124-132	-	GST-4/AM VPAL 124-132	GAS-3/12/AM
OXLIP	0.52	211.62	GA-2(T)/AM	GS-2(T)/AM	GS-3(T)/AM VPAL 132-140	-	GS-4-AE/AM VPAL 132-140	-	GST-4/AM VPAL 132-140	GAS-3/13,5/AM
L-110	0.55	230.90	GA-2(T)/AM	GS-2(T)/AM	GS-3(T)/AM VPAL 132-140	-	GS-4-AE/AM VPAL 132-140	-	GST-4/AM VPAL 132-140	GAS-3/14/AM
AAC-117	0.55	230.86	GA-2(T)/AM	GS-2(T)/AM	GS-3(T)/AM VPAL 132-140	-	GS-4-AE/AM VPAL 132-140	-	GST-4/AM VPAL 132-140	GAS-3/14/AM
AAC-120	0.55	230.90	GA-2(T)/AM	GS-2(T)/AM	GS-3(T)/AM VPAL 132-140	-	GS-4-AE/AM VPAL 132-140	-	GST-4/AM VPAL 132-140	GAS-3/14/AM
DAISY	0.59	266.74	GA-2(T)/AM	GS-2(T)/AM	GS-4T/AM VPAL 148-154	-	GS-4-AE/AM VPAL 148-154	-	GST-4/AM VPAL 148-154	GAS-3/15/AM
AAC-150	0.62	290.31	GA-2(T)/AM	GS-2(T)/AM	GS-4T/AM VPAL 154-166	-	GS-4-AE/AM VPAL 154-166	-	GST-4/AM VPAL 154-166	GAS-3/15/AM
L-145	0.62	292.28	GA-2(T)/AM	GS-2(T)/AM	GS-4T/AM VPAL 154-166	-	GS-4-AE/AM VPAL 154-166	-	GST-4/AM VPAL 154-166	GAS-3/16/AM
AAC-148	0.62	292.10	GA-2(T)/AM	GS-2(T)/AM	GS-4T/AM VPAL 154-166	-	GS-4-AE/AM VPAL 154-166	-	GST-4/AM VPAL 154-166	GAS-3/16/AM
TULIP	0.67	336.39	GA-3(T)/AM	GS-2(T)/AM	GS-4T/AM VPAL 166-172	-	GS-4-AE/AM VPAL 166-172	-	GST-4/AM VPAL 166-172	GAS-4/17/AM
AAC-185	0.69	358.39	GA-3(T)/AM	GS-3(T)/AM	GS-4T/AM VPAL 172-178	GS-4-AE/AM	GS-5-AE/AM VPAL 172-178	GST-4/AM	GST-5/AM VPAL 172-178	GAS-4/17,5/AM
L-180	0.70	371.22	GA-3(T)/AM	GS-3(T)/AM	GS-5T/AM VPAL 172-178	GS-4-AE/AM	GS-5-AE/AM VPAL 172-178	GST-4/AM	GST-5/AM VPAL 172-178	GAS-4/18/AM
AAC-188	0.70	371.14	GA-3(T)/AM	GS-3(T)/AM	GS-5T/AM VPAL 172-178	GS-4-AE/AM	GS-5-AE/AM VPAL 172-178	GST-4/AM	GST-5/AM VPAL 172-178	GAS-4/18/AM
CANNA	0.72	397.51	GA-3(T)/AM	GS-3(T)/AM	GS-5T/AM VPAL 178-188	GS-4-AE/AM	GS-5-AE/AM VPAL 178-188	GST-4/AM	GST-5/AM VPAL 178-188	GAS-4/18,5/AM
AAC-228	0.77	449.63	GA-3(T)/AM	GS-3(T)/AM	GS-5T/AM VPAL 188-199	GS-4-AE/AM	GS-5-AE/AM VPAL 188-199	GST-4/AM	GST-5/AM VPAL 188-199	GAS-5/20/AM
COSMOS	0.79	476.96	GA-3(T)/AM	GS-3(T)/AM	GS-5T/AM VPAL 199-215	GS-4-AE/AM	GS-5-AE/AM VPAL 199-215	GST-4/AM	GST-5/AM VPAL 199-215	GAS-5/20/AM
AAC-240	0.80	478.58	GA-3(T)/AM	GS-3(T)/AM	GS-5T/AM VPAL 199-215	GS-4-AE/AM	GS-5-AE/AM VPAL 199-215	GST-4/AM	GST-5/AM VPAL 199-215	GAS-5/20/AM
AAC-500MCM	0.81	500.00	GA-3(T)/AM	GS-3(T)/AM	GS-5T/AM VPAL 199-215	GS-4-AE/AM	GS-5-AE/AM VPAL 199-215	GST-4/AM	GST-5/AM VPAL 199-215	GAS-5/21/AM
L-280	0.85	551.21	GA-3(T)/AM	GS-3(T)/AM	GS-5T/AM VPAL 215-230	GS-4-AE/AM	GS-5-AE/AM VPAL 215-230	GST-4/AM	GST-5/AM VPAL 215-230	GAS-5/22/AM
DAHLIA	0.86	556.53	GA-3(T)/AM	GS-3(T)/AM	GS-5T/AM VPAL 215-230	GS-4-AE/AM	GS-5-AE/AM VPAL 215-230	GST-4/AM	GST-5/AM VPAL 215-230	GAS-5/22/AM
AAC-288	0.87	569.05	GA-4T/AM	GS-3(T)/AM	GS-5T/AM VPAL 215-230	GS-4-AE/AM	GS-5-AE/AM VPAL 215-230	GST-4/AM	GST-5/AM VPAL 215-230	GAS-5/22/AM
AAC-300	0.89	590.87	GA-4T/AM	GS-3(T)/AM	GS-5T/AM VPAL 215-230	GS-4-AE/AM	GS-6-AE/AM VPAL 215-230	GST-4/AM	GST-6/AM VPAL 215-230	GAS-5/23/AM
MEADOWSWEET	0.89	599.95	GA-4T/AM	GS-3(T)/AM	GS-5T/AM VPAL 215-230	GS-4-AE/AM	GS-6-AE/AM VPAL 215-230	GST-4/AM	GST-6/AM VPAL 215-230	GAS-5/23/AM
ORCHID	0.92	635.97	GA-4T/AM	GS-4T/AM	-	GS-4-AE/AM	GS-6-AE/AM VPAL 230-236	GST-4/AM	GST-6/AM VPAL 230-236	GAS-6/24/AM
VERBENA	0.96	700.03	GA-4T/AM	GS-4T/AM	-	GS-4-AE/AM	GS-6-AE/AM VPAL 236-248	GST-4/AM	GST-6/AM VPAL 236-248	GAS-6/25/AM
VIOLET	0.97	715.56	GA-4T/AM	GS-4T/AM	-	GS-4-AE/AM	GS-6-AE/AM VPAL 236-248	GST-4/AM	GST-6/AM VPAL 236-248	GAS-6/25/AM
AAC-366	0.98	722.74	GA-4T/AM	GS-4T/AM	-	GS-4-AE/AM	GS-6-AE/AM VPAL 248-258	GST-4/AM	GST-6/AM VPAL 248-258	GAS-6/25/AM

## ALL ALUMINUM CONDUCTORS (AAC)

Conductor			Suspension Clamps							
Code Name	Ø Ext. (inch)	Size (kcmil)	Strain Clamp	Suspension Clamp	Suspension Clamp +Armor rods	Corona Free Suspension Clamp	Corona Free Suspension Clamp +Armor rods	Center Free Suspension Clamp	Center Free Suspension Clamp +Armor rods	Armor Grip Suspension Clamp
PETUNIA	1.00	749.94	GA-4T/AM	GS-4T/AM	-	GS-4-AE/AM	GS-6-AE/AM VPAL 248-258	GST-4/AM	GST-6/AM VPAL 248-258	GAS-6/25/AM
L-400	1.00	751.91	GA-4T/AM	GS-4T/AM	-	GS-4-AE/AM	GS-6-AE/AM VPAL 248-258	GST-4/AM	GST-6/AM VPAL 248-258	GAS-6/25/AM
AAC-400	1.02	789.61	GA-4T/AM	GS-4T/AM	-	GS-4-AE/AM	GS-6-AE/AM VPAL 258-263	GST-4/AM	GST-6/AM VPAL 258-263	GAS-6/26/AM
ARBUTUS	1.03	795.01	GA-4T/AM	GS-4T/AM	-	GS-5-AE/AM	GS-6-AE/AM VPAL 258-263	GST-5/AM	GST-6/AM VPAL 258-263	GAS-6/26/AM
LILAC	1.03	795.73	GA-4T/AM	GS-4T/AM	-	GS-5-AE/AM	GS-6-AE/AM VPAL 258-263	GST-5/AM	GST-6/AM VPAL 258-263	GAS-6/26/AM
ANEMONE	1.08	876.84	GA-4T/AM	GS-4T/AM	-	GS-5-AE/AM	GS-6-AE/AM VPAL 263-279	GST-5/AM	GST-6/AM VPAL 263-279	GAS-7/27/AM
L-450	1.09	896.97	GA-4T/AM	GS-4T/AM	-	GS-5-AE/AM	GS-6-AE/AM VPAL 263-279	GST-5/AM	GST-6/AM VPAL 263-279	GAS-7/28/AM
AAC-475	1.12	938.17	GA-4T/AM	GS-5T/AM	-	GS-5-AE/AM	GS-6-AE/AM VPAL 279-289	GST-5/AM	GST-6/AM VPAL 279-289	GAS-7/28/AM
MAGNOLIA	1.12	954.04	GA-4T/AM	GS-5T/AM	-	GS-5-AE/AM	GS-6-AE/AM VPAL 279-289	GST-5/AM	GST-6/AM VPAL 279-289	GAS-7/29/AM
AAC-500	1.15	986.37	GA-4T/AM	GS-5T/AM	-	GS-5-AE/AM	GS-6-AE/AM VPAL 289-307	GST-5/AM	GST-6/AM VPAL 289-307	GAS-7/29/AM
CAMELLIA	1.16	1000.00	GA-4T/AM	GS-5T/AM	-	GS-5-AE/AM	GS-6-AE/AM VPAL 289-307	GST-5/AM	GST-6/AM VPAL 289-307	GAS-7/29/AM
BLUEBELL	1.17	1033.50	GA-4T/AM	GS-5T/AM	-	GS-5-AE/AM	GS-6-AE/AM VPAL 289-307	GST-5/AM	GST-6/AM VPAL 289-307	GAS-7/30/AM
LARKSPUR	1.17	1033.50	GA-4T/AM	GS-5T/AM	-	GS-5-AE/AM	GS-6-AE/AM VPAL 289-307	GST-5/AM	GST-6/AM VPAL 289-307	GAS-7/30/AM
L-550	1.20	1080.11	GA-4T/AM	GS-5T/AM	-	GS-5-AE/AM	GS-6-AE/AM VPAL 289-307	GST-5/AM	GST-6/AM VPAL 289-307	GAS-7/30/AM
MARIGOLD	1.22	1112.93	GA-4T/AM	GS-5T/AM	-	GS-5-AE/AM	GS-7-AE/AM VPAL 307-337	GST-5/AM	GST-7/AM VPAL 307-337	GAS-7/31/AM
HAWTHORN	1.22	1192.52	GA-5T/AM	GS-5T/AM	-	GS-5-AE/AM	GS-7-AE/AM VPAL 307-337	GST-5/AM	GST-7/AM VPAL 307-337	GAS-7/31/AM
AAC-604	1.26	1191.58	GA-5T/AM	GS-5T/AM	-	GS-5-AE/AM	GS-7-AE/AM VPAL 307-337	GST-5/AM	GST-7/AM VPAL 307-337	GAS-8/32/AM
AAC-625	1.28	1235.82	GA-5T/AM	GS-5T/AM	-	GS-5-AE/AM	GS-7-AE/AM VPAL 307-337	GST-5/AM	GST-7/AM VPAL 307-337	GAS-8/33/AM
L-630	1.29	1259.70	GA-5T/AM	GS-5T/AM	-	GS-5-AE/AM	GS-7-AE/AM VPAL 307-337	GST-5/AM	GST-7/AM VPAL 307-337	GAS-8/33/AM
NARCISSUS	1.30	1271.96	GA-5T/AM	GS-5T/AM	-	GS-5-AE/AM	GS-7-AE/AM VPAL 307-337	GST-5/AM	GST-7/AM VPAL 307-337	GAS-8/33/AM
COLUMBINE	1.34	1351.55	GA-5T/AM	GS-5T/AM	-	GS-5-AE/AM	GS-7-AE/AM VPAL 337-353	GST-5/AM	GST-7/AM VPAL 337-353	GAS-8/34/AM
CARNATION	1.38	1431.00	GA-5T/AM	GS-5T/AM	-	GS-6-AE/AM	GS-7-AE/AM VPAL 337-353	GST-6/AM	GST-7/AM VPAL 337-353	GAS-8/35/AM
GLADIOLUS	1.38	1510.44	GA-5T/AM	GS-5T/AM	-	GS-6-AE/AM	GS-7-AE/AM VPAL 337-353	GST-6/AM	GST-7/AM VPAL 337-353	GAS-8/35/AM
COREOPSIS	1.44	1590.03	GA-5T/AM	-	-	GS-6-AE/AM	GS-7-AE/AM VPAL 353-366	GST-6/AM	GST-7/AM VPAL 353-366	GAS-8/37/AM
AAC-800	1.45	1582.96	GA-5T/AM	-	-	GS-6-AE/AM	GS-7-AE/AM VPAL 366-385	GST-6/AM	GST-7/AM VPAL 366-385	GAS-8/37/AM
JESSAMINE	1.52	1749.94	-	-	-	GS-6-AE/AM	-	GST-6/AM	-	-
AAC-1000	1.62	1972.93	-	-	-	GS-6-AE/AM	-	GST-6/AM	-	-
COWSLIP	1.63	1994.05	-	-	-	GS-6-AE/AM	-	GST-6/AM	-	-

**ALL ALUMINUM CONDUCTORS (AAC)**

Conductor			Suspension Clamps							
Code Name	Ø Ext. (inch)	Size (kcmil)	Strain Clamp	Suspension Clamp	Suspension Clamp +Armor rods	Corona Free Suspension Clamp	Corona Free Suspension Clamp +Armor rods	Center Free Suspension Clamp	Center Free Suspension Clamp +Armor rods	Armor Grip Suspension Clamp
SAGEBRUSH	1.73	2245.48	-	-	-	GS-6-AE/AM	-	GST-6/AM	-	-
AAC-1250	1.81	2464.93	-	-	-	GS-6-AE/AM	-	GST-6/AM	-	-
LUPINE	1.82	2499.81	-	-	-	GS-6-AE/AM	-	GST-6/AM	-	-
BLUEBONNET	2.16	3499.61	-	-	-	GS-7-AE/AM	-	-	-	-

# ALL ALUMINUM ALLOY CONDUCTORS (AAAC)

Conductor			Suspension Clamps							
Code Name	Ø Ext. (inch)	Size (kcmil)	Strain Clamp	Suspension Clamp	Suspension Clamp +Armor rods	Corona Free Suspension Clamp	Corona Free Suspension Clamp +Armor rods	Center Free Suspension Clamp	Center Free Suspension Clamp +Armor rods	Armor Grip Suspension Clamp
AAAC-95/AMS 95	0.49	184.07	GA-2(T)/AM	GS-2(T)/AM	GS-3(T)/AM VPAL 124-132	-	GS-4-AE/AM VPAL 124-132	-	GST-4/AM VPAL 124-132	GAS-3/12/AM
AMHERST	0.50	195.81	GA-2(T)/AM	GS-2(T)/AM	GS-3(T)/AM VPAL 124-132	-	GS-4-AE/AM VPAL 124-132	-	GST-4/AM VPAL 124-132	GAS-3/13/AM
AAAC-112	0.53	220.68	GA-2(T)/AM	GS-2(T)/AM	GS-3(T)/AM VPAL 132-140	-	GS-4-AE/AM VPAL 132-140	-	GST-4/AM VPAL 132-140	GAS-3/13,5/AM
OAK	0.55	234.65	GA-2(T)/AM	GS-2(T)/AM	GS-3(T)/AM VPAL 132-140	-	GS-4-AE/AM VPAL 132-140	-	GST-4/AM VPAL 132-140	GAS-3/14/AM
D-110	0.55	230.90	GA-2(T)/AM	GS-2(T)/AM	GS-3(T)/AM VPAL 132-140	-	GS-4-AE/AM VPAL 132-140	-	GST-4/AM VPAL 132-140	GAS-3/14/AM
ASTER-117	0.55	230.86	GA-2(T)/AM	GS-2(T)/AM	GS-3(T)/AM VPAL 132-140	-	GS-4-AE/AM VPAL 132-140	-	GST-4/AM VPAL 132-140	GAS-3/14/AM
AAAC-120	0.55	230.90	GA-2(T)/AM	GS-2(T)/AM	GS-3(T)/AM VPAL 132-140	-	GS-4-AE/AM VPAL 132-140	-	GST-4/AM VPAL 132-140	GAS-3/14/AM
ALLIANCE	0.56	246.89	GA-2(T)/AM	GS-2(T)/AM	GS-4T/AM VPAL 140-148	-	GS-4-AE/AM VPAL 140-148	-	GST-4/AM VPAL 140-148	GAS-3/14,5/AM
AAAC-150	0.62	290.31	GA-2(T)/AM	GS-2(T)/AM	GS-4T/AM VPAL 154-166	-	GS-4-AE/AM VPAL 154-166	-	GST-4/AM VPAL 154-166	GAS-3/15/AM
D-145	0.62	292.28	GA-2(T)/AM	GS-2(T)/AM	GS-4T/AM VPAL 154-166	-	GS-4-AE/AM VPAL 154-166	-	GST-4/AM VPAL 154-166	GAS-3/16/AM
ASTER-148	0.62	292.10	GA-2(T)/AM	GS-2(T)/AM	GS-4T/AM VPAL 154-166	-	GS-4-AE/AM VPAL 154-166	-	GST-4/AM VPAL 154-166	GAS-3/16/AM
AAAC-149	0.63	295.44	GA-2(T)/AM	GS-2(T)/AM	GS-4T/AM VPAL 154-166	-	GS-4-AE/AM VPAL 154-166	-	GST-4/AM VPAL 154-166	GAS-3/16/AM
MULBERRY	0.63	298.20	GA-2(T)/AM	GS-2(T)/AM	GS-4T/AM VPAL 154-166	-	GS-4-AE/AM VPAL 154-166	-	GST-4/AM VPAL 154-166	GAS-3/16/AM
BUTTE	0.64	313.00	GA-3(T)/AM	GS-2(T)/AM	GS-4T/AM VPAL 154-166	-	GS-4-AE/AM VPAL 154-166	-	GST-4/AM VPAL 154-166	GAS-3/16/AM
AAAC-160	0.64	315.76	GA-3(T)/AM	GS-2(T)/AM	GS-4T/AM VPAL 154-166	-	GS-4-AE/AM VPAL 154-166	-	GST-4/AM VPAL 154-166	GAS-3/16/AM
ASH	0.69	356.62	GA-3(T)/AM	GS-3(T)/AM	GS-4T/AM VPAL 172-178	GS-4-AE/AM	GS-5-AE/AM VPAL 172-178	GST-4/AM	GST-5/AM VPAL 172-178	GAS-4/17,5/AM
AAAC-185	0.69	358.39	GA-3(T)/AM	GS-3(T)/AM	GS-4T/AM VPAL 172-178	GS-4-AE/AM	GS-5-AE/AM VPAL 172-178	GST-4/AM	GST-5/AM VPAL 172-178	GAS-4/17,5/AM
ASTER-181-6	0.69	358.43	GA-3(T)/AM	GS-3(T)/AM	GS-4T/AM VPAL 172-178	GS-4-AE/AM	GS-5-AE/AM VPAL 172-178	GST-4/AM	GST-5/AM VPAL 172-178	GAS-4/17,5/AM
D-180	0.70	371.22	GA-3(T)/AM	GS-3(T)/AM	GS-5T/AM VPAL 172-178	GS-4-AE/AM	GS-5-AE/AM VPAL 172-178	GST-4/AM	GST-5/AM VPAL 172-178	GAS-4/18/AM
CANTON	0.72	394.51	GA-3(T)/AM	GS-3(T)/AM	GS-5T/AM VPAL 178-188	GS-4-AE/AM	GS-5-AE/AM VPAL 178-188	GST-4/AM	GST-5/AM VPAL 178-188	GAS-4/18,5/AM
AAAC-400MCM	0.73	400.00	GA-3(T)/AM	GS-3(T)/AM	GS-5T/AM VPAL 178-188	GS-4-AE/AM	GS-5-AE/AM VPAL 178-188	GST-4/AM	GST-5/AM VPAL 178-188	GAS-4/18,5/AM
ELM	0.74	416.41	GA-3(T)/AM	GS-3(T)/AM	GS-5T/AM VPAL 178-188	GS-4-AE/AM	GS-5-AE/AM VPAL 178-188	GST-4/AM	GST-5/AM VPAL 178-188	GAS-4/19/AM
ASTER-228	0.77	449.63	GA-3(T)/AM	GS-3(T)/AM	GS-5T/AM VPAL 188-199	GS-4-AE/AM	GS-5-AE/AM VPAL 188-199	GST-4/AM	GST-5/AM VPAL 188-199	GAS-5/20/AM
CAIRO	0.78	465.36	GA-3(T)/AM	GS-3(T)/AM	GS-5T/AM VPAL 188-199	GS-4-AE/AM	GS-5-AE/AM VPAL 188-199	GST-4/AM	GST-5/AM VPAL 188-199	GAS-5/20/AM
POPLAR	0.79	471.67	GA-3(T)/AM	GS-3(T)/AM	GS-5T/AM VPAL 199-215	GS-4-AE/AM	GS-5-AE/AM VPAL 199-215	GST-4/AM	GST-5/AM VPAL 199-215	GAS-5/20/AM
AAAC-240	0.80	478.58	GA-3(T)/AM	GS-3(T)/AM	GS-5T/AM VPAL 199-215	GS-4-AE/AM	GS-5-AE/AM VPAL 199-215	GST-4/AM	GST-5/AM VPAL 199-215	GAS-5/20/AM
AAAC-250	0.81	493.38	GA-3(T)/AM	GS-3(T)/AM	GS-5T/AM VPAL 199-215	GS-4-AE/AM	GS-5-AE/AM VPAL 199-215	GST-4/AM	GST-5/AM VPAL 199-215	GAS-5/21/AM
AMS-22-301	0.83	594.52	GA-3(T)/AM	GS-3(T)/AM	GS-5T/AM VPAL 199-215	GS-4-AE/AM	GS-5-AE/AM VPAL 199-215	GST-4/AM	GST-5/AM VPAL 199-215	GAS-5/21,5/AM

## ALL ALUMINUM ALLOY CONDUCTORS (AAAC)

Conductor			Suspension Clamps							
Code Name	Ø Ext. (inch)	Size (kcmil)	Strain Clamp	Suspension Clamp	Suspension Clamp +Armor rods	Corona Free Suspension Clamp	Corona Free Suspension Clamp +Armor rods	Center Free Suspension Clamp	Center Free Suspension Clamp +Armor rods	Armor Grip Suspension Clamp
D-280	0.85	551.21	GA-3(T)/AM	GS-3(T)/AM	GS-5T/AM VPAL 215-230	GS-4-AE/AM	GS-5-AE/AM VPAL 215-230	GST-4/AM	GST-5/AM VPAL 215-230	GAS-5/22/AM
DARIEN	0.86	559.49	GA-3(T)/AM	GS-3(T)/AM	GS-5T/AM VPAL 215-230	GS-4-AE/AM	GS-5-AE/AM VPAL 215-230	GST-4/AM	GST-5/AM VPAL 215-230	GAS-5/22/AM
ASTER-288	0.87	569.05	GA-4T/AM	GS-3(T)/AM	GS-5T/AM VPAL 215-230	GS-4-AE/AM	GS-5-AE/AM VPAL 215-230	GST-4/AM	GST-5/AM VPAL 215-230	GAS-5/22/AM
AAAC-300	0.89	590.87	GA-4T/AM	GS-3(T)/AM	GS-5T/AM VPAL 215-230	GS-4-AE/AM	GS-6-AE/AM VPAL 215-230	GST-4/AM	GST-6/AM VPAL 215-230	GAS-5/23/AM
SYCAMORE	0.89	597.98	GA-4T/AM	GS-3(T)/AM	GS-5T/AM VPAL 215-230	GS-4-AE/AM	GS-6-AE/AM VPAL 215-230	GST-4/AM	GST-6/AM VPAL 215-230	GAS-5/23/AM
AAAC-600MCM	0.89	600.00	GA-4T/AM	GS-3(T)/AM	GS-5T/AM VPAL 215-230	GS-4-AE/AM	GS-6-AE/AM VPAL 215-230	GST-4/AM	GST-6/AM VPAL 215-230	GAS-5/23/AM
ELGIN	0.93	652.45	GA-4T/AM	GS-4T/AM	-	GS-4-AE/AM	GS-6-AE/AM VPAL 230-236	GST-4/AM	GST-6/AM VPAL 230-236	GAS-6/24/AM
AAAC-650MCM	0.93	650.00	GA-4T/AM	GS-4T/AM	-	GS-4-AE/AM	GS-6-AE/AM VPAL 230-236	GST-4/AM	GST-6/AM VPAL 230-236	GAS-6/24/AM
AAAC-700MCM	0.96	700.00	GA-4T/AM	GS-4T/AM	-	GS-4-AE/AM	GS-6-AE/AM VPAL 236-248	GST-4/AM	GST-6/AM VPAL 236-248	GAS-6/25/AM
UPAS	0.97	714.61	GA-4T/AM	GS-4T/AM	-	GS-4-AE/AM	GS-6-AE/AM VPAL 236-248	GST-4/AM	GST-6/AM VPAL 236-248	GAS-6/25/AM
ASTER-366	0.98	722.74	GA-4T/AM	GS-4T/AM	-	GS-4-AE/AM	GS-6-AE/AM VPAL 248-258	GST-4/AM	GST-6/AM VPAL 248-258	GAS-6/25/AM
FLINT	0.99	740.66	GA-4T/AM	GS-4T/AM	-	GS-4-AE/AM	GS-6-AE/AM VPAL 248-258	GST-4/AM	GST-6/AM VPAL 248-258	GAS-6/25/AM
AAAC-750MCM	0.99	750.00	GA-4T/AM	GS-4T/AM	-	GS-4-AE/AM	GS-6-AE/AM VPAL 248-258	GST-4/AM	GST-6/AM VPAL 248-258	GAS-6/25/AM
D-400	1.00	751.91	GA-4T/AM	GS-4T/AM	-	GS-4-AE/AM	GS-6-AE/AM VPAL 248-258	GST-4/AM	GST-6/AM VPAL 248-258	GAS-6/25/AM
AAAC-400	1.02	789.61	GA-4T/AM	GS-4T/AM	-	GS-4-AE/AM	GS-6-AE/AM VPAL 258-263	GST-4/AM	GST-6/AM VPAL 258-263	GAS-6/26/AM
AERO 455-2Z	1.02	898.23	GA-4T/AM	GS-4T/AM	-	GS-4-AE/AM	GS-6-AE/AM VPAL 258-263	GST-4/AM	GST-6/AM VPAL 258-263	GAS-6/26/AM
AAAC-800MCM	1.03	800.00	GA-4T/AM	GS-4T/AM	-	GS-4-AE/AM	GS-6-AE/AM VPAL 258-263	GST-4/AM	GST-6/AM VPAL 258-263	GAS-6/26/AM
AAAC-875MCM	1.08	875.00	GA-4T/AM	GS-4T/AM	-	GS-5-AE/AM	GS-6-AE/AM VPAL 263-279	GST-5/AM	GST-6/AM VPAL 263-279	GAS-7/27/AM
D-450	1.09	896.97	GA-4T/AM	GS-4T/AM	-	GS-5-AE/AM	GS-6-AE/AM VPAL 263-279	GST-5/AM	GST-6/AM VPAL 263-279	GAS-7/28/AM
AAAC-900MCM	1.09	900.00	GA-4T/AM	GS-4T/AM	-	GS-5-AE/AM	GS-6-AE/AM VPAL 263-279	GST-5/AM	GST-6/AM VPAL 263-279	GAS-7/28/AM
GREELEY	1.11	927.16	GA-4T/AM	GS-5T/AM	-	GS-5-AE/AM	GS-6-AE/AM VPAL 279-289	GST-5/AM	GST-6/AM VPAL 279-289	GAS-7/28/AM
YEW	1.12	947.09	GA-4T/AM	GS-5T/AM	-	GS-5-AE/AM	GS-6-AE/AM VPAL 279-289	GST-5/AM	GST-6/AM VPAL 279-289	GAS-7/28/AM
AAAC-491	1.14	969.00	GA-4T/AM	GS-5T/AM	-	GS-5-AE/AM	GS-6-AE/AM VPAL 279-289	GST-5/AM	GST-6/AM VPAL 279-289	GAS-7/29/AM
AAAC-500	1.15	986.37	GA-4T/AM	GS-5T/AM	-	GS-5-AE/AM	GS-6-AE/AM VPAL 289-307	GST-5/AM	GST-6/AM VPAL 289-307	GAS-7/29/AM
AAAC-506	1.15	998.60	GA-4T/AM	GS-5T/AM	-	GS-5-AE/AM	GS-6-AE/AM VPAL 289-307	GST-5/AM	GST-6/AM VPAL 289-307	GAS-7/29/AM
AAAC-1000MCM	1.15	1000.00	GA-4T/AM	GS-5T/AM	-	GS-5-AE/AM	GS-6-AE/AM VPAL 289-307	GST-5/AM	GST-6/AM VPAL 289-307	GAS-7/29/AM
D-550	1.20	1080.11	GA-4T/AM	GS-5T/AM	-	GS-5-AE/AM	GS-6-AE/AM VPAL 289-307	GST-5/AM	GST-6/AM VPAL 289-307	GAS-7/30/AM
AAAC-1100MCM	1.21	1100.00	GA-4T/AM	GS-5T/AM	-	GS-5-AE/AM	GS-6-AE/AM VPAL 289-307	GST-5/AM	GST-6/AM VPAL 289-307	GAS-7/31/AM



## ALL ALUMINUM ALLOY CONDUCTORS (AAAC)

Conductor			Suspension Clamps							
Code Name	Ø Ext. (inch)	Size (kcmil)	Strain Clamp	Suspension Clamp	Suspension Clamp +Armor rods	Corona Free Suspension Clamp	Corona Free Suspension Clamp +Armor rods	Center Free Suspension Clamp	Center Free Suspension Clamp +Armor rods	Armor Grip Suspension Clamp
AAAC-560	1.21	1105.17	GA-4T/AM	GS-5T/AM	-	GS-5-AE/AM	GS-6-AE/AM VPAL 289-307	GST-5/AM	GST-6/AM VPAL 289-307	GAS-7/31/AM
ASTER-570	1.22	1125.34	GA-5T/AM	GS-5T/AM	-	GS-5-AE/AM	GS-7-AE/AM VPAL 307-337	GST-5/AM	-	GAS-7/31/AM
AAAC-600	1.22	1192.01	GA-5T/AM	GS-5T/AM	-	GS-5-AE/AM	GS-7-AE/AM VPAL 307-337	GST-5/AM	-	GAS-7/31/AM
RUBUS	1.24	1157.67	GA-5T/AM	GS-5T/AM	-	GS-5-AE/AM	GS-7-AE/AM VPAL 307-337	GST-5/AM	-	GAS-7/31/AM
AAAC-625	1.28	1235.82	GA-5T/AM	GS-5T/AM	-	GS-5-AE/AM	GS-7-AE/AM VPAL 307-337	GST-5/AM	-	GAS-8/33/AM
D-630	1.29	1259.70	GA-5T/AM	GS-5T/AM	-	GS-5-AE/AM	GS-7-AE/AM VPAL 307-337	GST-5/AM	-	GAS-8/33/AM
AAAC-1300MCM	1.31	1300.00	GA-5T/AM	GS-5T/AM	-	GS-5-AE/AM	GS-7-AE/AM VPAL 307-337	GST-5/AM	-	GAS-8/33/AM
AAAC-683,4	1.33	1348.71	GA-5T/AM	GS-5T/AM	-	GS-5-AE/AM	GS-7-AE/AM VPAL 337-353	GST-5/AM	-	GAS-8/34/AM
AAAC-732	1.39	1444.62	GA-5T/AM	-	-	GS-6-AE/AM	GS-7-AE/AM VPAL 337-353	GST-6/AM	-	GAS-8/35/AM
AAAC-1500MCM	1.41	1500.00	GA-5T/AM	-	-	GS-6-AE/AM	GS-7-AE/AM VPAL 353-366	GST-6/AM	-	GAS-8/36/AM
AAAC-800	1.45	1582.94	GA-5T/AM	-	-	GS-6-AE/AM	GS-7-AE/AM VPAL 366-385	GST-6/AM	-	GAS-8/37/AM

## ALUMINUM CONDUCTORS ALLOY REINFORCED (ACAR)

Conductor			Suspension Clamps							
Code Name	Ø Ext. (inch)	Size (kcmil)	Strain Clamp	Suspension Clamp	Suspension Clamp +Armor rods	Corona Free Suspension Clamp	Corona Free Suspension Clamp +Armor rods	Center Free Suspension Clamp	Center Free Suspension Clamp +Armor rods	Armor Grip Suspension Clamp
195.7	0.50	195.70	GA-2(T)/AM	GS-2(T)/AM	GS-3(T)/AM VPAL 124-132	-	GS-4-AE/AM VPAL 124-132	-	GST-4/AM VPAL 124-132	GAS-3/13/AM
4/0	0.52	211.18	GA-2(T)/AM	GS-2(T)/AM	GS-3(T)/AM VPAL 124-132	-	GS-4-AE/AM VPAL 124-132	-	GST-4/AM VPAL 124-132	GAS-3/13,5/AM
246.9	0.56	246.90	GA-2(T)/AM	GS-2(T)/AM	GS-4T/AM VPAL 140-148	-	GS-4-AE/AM VPAL 140-148	-	GST-4/AM VPAL 140-148	GAS-3/14,5/AM
250	0.57	250.00	GA-2(T)/AM	GS-2(T)/AM	GS-4T/AM VPAL 140-148	-	GS-4-AE/AM VPAL 140-148	-	GST-4/AM VPAL 140-148	GAS-3/14,5/AM
300	0.63	300.00	GA-2(T)/AM	GS-2(T)/AM	GS-4T/AM VPAL 154-166	-	GS-4-AE/AM VPAL 154-166	-	GST-4/AM VPAL 154-166	GAS-3/16/AM
350	0.68	350.00	GA-3(T)/AM	GS-3(T)/AM	GS-4T/AM VPAL 166-172	GS-4-AE/AM	GS-5-AE/AM VPAL 166-172	GST-4/AM	GST-5/AM VPAL 166-172	GAS-4/17,5/AM
400	0.73	400.00	GA-3(T)/AM	GS-3(T)/AM	GS-5T/AM VPAL 178-188	GS-4-AE/AM	GS-5-AE/AM VPAL 178-188	GST-4/AM	GST-5/AM VPAL 178-188	GAS-4/18,5/AM
450	0.77	450.00	GA-3(T)/AM	GS-3(T)/AM	GS-5T/AM VPAL 188-199	GS-4-AE/AM	GS-5-AE/AM VPAL 188-199	GST-4/AM	GST-5/AM VPAL 188-199	GAS-5/20/AM
500	0.81	500.00	GA-3(T)/AM	GS-3(T)/AM	GS-5T/AM VPAL 199-215	GS-4-AE/AM	GS-5-AE/AM VPAL 199-215	GST-4/AM	GST-5/AM VPAL 199-215	GAS-5/21/AM
550	0.85	550.00	GA-3(T)/AM	GS-3(T)/AM	GS-5T/AM VPAL 215-230	GS-4-AE/AM	GS-5-AE/AM VPAL 215-230	GST-4/AM	GST-5/AM VPAL 215-230	GAS-5/22/AM
600	0.89	600.00	GA-4T/AM	GS-3(T)/AM	GS-5T/AM VPAL 230-236	GS-4-AE/AM	GS-6-AE/AM VPAL 230-236	GST-4/AM	GST-6/AM VPAL 230-236	GAS-5/23/AM
650	0.93	650.00	GA-4T/AM	GS-4T/AM	-	GS-4-AE/AM	GS-6-AE/AM VPAL 230-236	GST-4/AM	GST-6/AM VPAL 230-236	GAS-6/24/AM
700	0.96	700.00	GA-4T/AM	GS-4T/AM	-	GS-4-AE/AM	GS-6-AE/AM VPAL 236-248	GST-4/AM	GST-6/AM VPAL 236-248	GAS-6/25/AM
750	1.00	750.00	GA-4T/AM	GS-4T/AM	-	GS-4-AE/AM	GS-6-AE/AM VPAL 248-258	GST-4/AM	GST-6/AM VPAL 248-258	GAS-6/25/AM
800	1.03	800.00	GA-4T/AM	GS-4T/AM	-	GS-5-AE/AM	GS-6-AE/AM VPAL 258-263	GST-5/AM	GST-6/AM VPAL 258-263	GAS-6/26/AM
850	1.06	850.00	GA-4T/AM	GS-4T/AM	-	GS-5-AE/AM	GS-6-AE/AM VPAL 263-279	GST-5/AM	GST-6/AM VPAL 263-279	GAS-7/27/AM
875	1.08	875.00	GA-4T/AM	GS-4T/AM	-	GS-5-AE/AM	GS-6-AE/AM VPAL 263-279	GST-5/AM	GST-6/AM VPAL 263-279	GAS-7/27/AM
900	1.09	900.00	GA-4T/AM	GS-4T/AM	-	GS-5-AE/AM	GS-6-AE/AM VPAL 263-279	GST-5/AM	GST-6/AM VPAL 263-279	GAS-7/28/AM
950	1.12	950.00	GA-4T/AM	GS-5T/AM	-	GS-5-AE/AM	GS-6-AE/AM VPAL 279-289	GST-5/AM	GST-6/AM VPAL 279-289	GAS-7/28/AM
1.000	1.15	1000.00	GA-4T/AM	GS-5T/AM	-	GS-5-AE/AM	GS-6-AE/AM VPAL 289-307	GST-5/AM	GST-6/AM VPAL 289-307	GAS-7/29/AM
1.024	1.16	1024.00	GA-4T/AM	GS-5T/AM	-	GS-5-AE/AM	GS-6-AE/AM VPAL 289-307	GST-5/AM	GST-6/AM VPAL 289-307	GAS-7/30/AM
1.100	1.21	1100.00	GA-4T/AM	GS-5T/AM	-	GS-5-AE/AM	GS-6-AE/AM VPAL 289-307	GST-5/AM	GST-6/AM VPAL 289-307	GAS-7/31/AM
1.200	1.26	1200.00	GA-5T/AM	GS-5T/AM	-	GS-5-AE/AM	GS-7-AE/AM VPAL 307-337	GST-5/AM	-	GAS-8/32/AM
1.250	1.29	1250.00	GA-5T/AM	GS-5T/AM	-	GS-5-AE/AM	GS-7-AE/AM VPAL 307-337	GST-5/AM	-	GAS-8/33/AM
1.300	1.31	1300.00	GA-5T/AM	GS-5T/AM	-	GS-5-AE/AM	GS-7-AE/AM VPAL 307-337	GST-5/AM	-	GAS-8/33/AM
1.400	1.36	1400.00	GA-5T/AM	GS-5T/AM	-	GS-5-AE/AM	GS-7-AE/AM VPAL 337-353	GST-5/AM	-	GAS-8/35/AM
1.500	1.41	1500.00	GA-5T/AM	GS-5T/AM	-	GS-6-AE/AM	GS-7-AE/AM VPAL 353-366	GST-6/AM	-	GAS-8/36/AM
1.600	1.46	1600.00	GA-5T/AM	-	-	GS-6-AE/AM	GS-7-AE/AM VPAL 366-385	GST-6/AM	-	GAS-8/37/AM

## ALUMINUM CONDUCTORS ALLOY REINFORCED (ACAR)

Conductor			Suspension Clamps							
Code Name	Ø Ext. (inch)	Size (kcmil)	Strain Clamp	Suspension Clamp	Suspension Clamp +Armor rods	Corona Free Suspension Clamp	Corona Free Suspension Clamp +Armor rods	Center Free Suspension Clamp	Center Free Suspension Clamp +Armor rods	Armor Grip Suspension Clamp
1.700	1.50	1700.00	GA-ST/AM	-	-	GS-6-AE/AM	GS-7-AE/AM VPAL 366-385	GST-6/AM	-	-
1.750	1.53	1750.00	-	-	-	GS-6-AE/AM	-	GST-6/AM	-	-
2.000	1.63	2000.00	-	-	-	GS-6-AE/AM	-	GST-6/AM	-	-

## ALUMINUM CONDUCTORS DIAMETER UP TO 0.49 inch (12,50 mm)

Conductor			Suspension Clamps							
Code Name	Ø Ext. (inch)	Size (kcmil)	Strain Clamp	Suspension Clamp	Suspension Clamp +Armor rods	Corona Free Suspension Clamp	Corona Free Suspension Clamp +Armor rods	Center Free Suspension Clamp	Center Free Suspension Clamp +Armor rods	Armor Grip Suspension Clamp
AAC-25	0.25	47.86	GA-1-PE/AM	GS-1(T)/AM	-	-	-	-	-	GAS-1/6,5/AM
AAAC-25	0.25	47.86	GA-1-PE/AM	GS-1(T)/AM	-	-	-	-	-	GAS-1/6,5/AM
ACSR SQUIRREL	0.25	48.21	GA-1-PE/AM	GS-1(T)/AM	-	-	-	-	-	GAS-1/6,5/AM
ACSR SWAN	0.25	48.77	GA-1-PE/AM	GS-1(T)/AM	-	-	-	-	-	GAS-1/6,5/AM
AAAC ALTON	0.25	48.77	GA-1-PE/AM	GS-1(T)/AM	-	-	-	-	-	GAS-1/6,5/AM
AAC GNAT	0.26	52.89	GA-1-PE/AM	GS-1(T)/AM	-	-	-	-	-	GAS-1/6,5/AM
AAC L-28	0.27	54.86	GA-1-PE/AM	GS-1(T)/AM	GS-2(T)/AM VPAL 066-069	-	-	-	-	GAS-1/7/AM
AAAC D-28	0.27	54.86	GA-1-PE/AM	GS-1(T)/AM	GS-2(T)/AM VPAL 066-069	-	-	-	-	GAS-1/7/AM
AAC-27.8	0.27	54.92	GA-1-PE/AM	GS-1(T)/AM	GS-2(T)/AM VPAL 066-069	-	-	-	-	GAS-1/7/AM
ACSR 25/4.0	0.27	54.86	GA-1-PE/AM	GS-1(T)/AM	GS-2(T)/AM VPAL 066-069	-	-	-	-	GAS-1/7/AM
AAAC ALMOND	0.28	59.40	GA-1-PE/AM	GS-1(T)/AM	GS-2(T)/AM VPAL 069-074	-	-	-	-	GAS-1/7/AM
ACSR GOPHER	0.28	60.43	GA-1-PE/AM	GS-1(T)/AM	GS-2(T)/AM VPAL 069-074	-	-	-	-	GAS-1/7/AM
ACSR LA-30	0.28	61.38	GA-1-PE/AM	GS-1(T)/AM	GS-2(T)/AM VPAL 069-074	-	-	-	-	GAS-1/7/AM
ACSR SWALLOW	0.28	61.38	GA-1-PE/AM	GS-1(T)/AM	GS-2(T)/AM VPAL 069-074	-	-	-	-	GAS-1/7/AM
AAC IRIS	0.29	66.33	GA-1-PE/AM	GS-1(T)/AM	GS-2(T)/AM VPAL 074-078	-	-	-	-	GAS-1/7,5/AM
AAC-34.4	0.30	67.81	GA-1-PE/AM	GS-1(T)/AM	GS-2(T)/AM VPAL 074-078	-	-	-	-	GAS-1/7,5/AM
ASTER-34.4	0.30	67.81	GA-1-PE/AM	GS-1(T)/AM	GS-2(T)/AM VPAL 074-078	-	-	-	-	GAS-1/7,5/AM
AAC-35	0.30	67.81	GA-1-PE/AM	GS-1(T)/AM	GS-2(T)/AM VPAL 074-078	-	-	-	-	GAS-1/7,5/AM
AAAC-35	0.30	67.81	GA-1-PE/AM	GS-1(T)/AM	GS-2(T)/AM VPAL 074-078	-	-	-	-	GAS-1/7,5/AM
AAAC CEDAR	0.30	70.06	GA-1-PE/AM	GS-1(T)/AM	GS-2(T)/AM VPAL 074-078	-	-	-	-	GAS-1/7,5/AM
ACSR WEASEL	0.31	72.78	GA-1-PE/AM	GS-1(T)/AM	GS-2(T)/AM VPAL 074-078	-	-	-	-	GAS-1/8/AM
AAC MOSQUITO	0.31	73.02	GA-1-PE/AM	GS-1(T)/AM	GS-2(T)/AM VPAL 074-078	-	-	-	-	GAS-1/8/AM
ACSR SPARROW	0.32	77.40	GA-1-PE/AM	GS-1(T)/AM	GS-2(T)/AM VPAL 078-083	-	-	-	-	GAS-1/8/AM
AAAC AMES	0.32	77.40	GA-1-PE/AM	GS-1(T)/AM	GS-2(T)/AM VPAL 078-083	-	-	-	-	GAS-1/8/AM
ACAR-77.5	0.32	77.56	GA-1-PE/AM	GS-1(T)/AM	GS-2(T)/AM VPAL 078-083	-	-	-	-	GAS-1/8/AM
ACSR 35/6.0	0.32	78.94	GA-1-PE/AM	GS-1(T)/AM	GS-2(T)/AM VPAL 078-083	-	-	-	-	GAS-1/8/AM
AAAC-40	0.32	78.94	GA-1-PE/AM	GS-1(T)/AM	GS-2(T)/AM VPAL 078-083	-	-	-	-	GAS-1/8/AM
ACSR SPARATE	0.32	83.14	GA-1-PE/AM	GS-1(T)/AM	GS-2(T)/AM VPAL 078-083	-	-	-	-	GAS-1/8,5/AM

## ALUMINUM CONDUCTORS DIAMETER UP TO 0.49 inch (12,50 mm)

Conductor			Suspension Clamps							
Code Name	Ø Ext. (inch)	Size (kcmil)	Strain Clamp	Suspension Clamp	Suspension Clamp +Armor rods	Corona Free Suspension Clamp	Corona Free Suspension Clamp +Armor rods	Center Free Suspension Clamp	Center Free Suspension Clamp +Armor rods	Armor Grip Suspension Clamp
AAC PANSY	0.33	83.66	GA-1-PE/AM	GS-1(T)/AM	GS-2(T)/AM VPAL 083-088	-	-	-	-	GAS-1/8,5/AM
ACSR FOX	0.33	84.41	GA-1-PE/AM	GS-1(T)/AM	GS-2(T)/AM VPAL 083-088	-	-	-	-	GAS-1/8,5/AM
AAC L-40	0.33	85.06	GA-1-PE/AM	GS-1(T)/AM	GS-2(T)/AM VPAL 083-088	-	-	-	-	GAS-1/8,5/AM
AAC D-40	0.33	85.06	GA-1-PE/AM	GS-1(T)/AM	GS-2(T)/AM VPAL 083-088	-	-	-	-	GAS-1/8,5/AM
AAC-43.1	0.33	85.06	GA-1-PE/AM	GS-1(T)/AM	GS-2(T)/AM VPAL 083-088	-	-	-	-	GAS-1/8,5/AM
AAAC FIR	0.35	94.33	GA-1-PE/AM	GS-1(T)/AM	GS-2(T)/AM VPAL 088-093	-	-	-	-	GAS-1/9/AM
ACSR FERRET	0.35	97.65	GA-1-PE/AM	GS-1(T)/AM	GS-2(T)/AM VPAL 088-093	-	-	-	-	GAS-1/9/AM
AAC-50	0.35	97.65	GA-1-PE/AM	GS-1(T)/AM	GS-2(T)/AM VPAL 088-093	-	-	-	-	GAS-1/9/AM
AAAC-50	0.35	97.65	GA-1-PE/AM	GS-1(T)/AM	GS-2(T)/AM VPAL 088-093	-	-	-	-	GAS-1/9/AM
ACSR ROBIN	0.35	97.67	GA-1-PE/AM	GS-1(T)/AM	GS-2(T)/AM VPAL 088-093	-	-	-	-	GAS-1/9/AM
AAC ANT	0.37	104.26	GA-1-PE/AM	GS-1(T)/AM	GS-2(T)/AM VPAL 088-093	-	-	-	-	GAS-1/9/AM
ACAR 1/0 AWG	0.37	105.58	GA-1-PE/AM	GS-1(T)/AM	GS-2(T)/AM VPAL 093-099	-	-	-	-	GAS-1/9/AM
AAC-54.6	0.37	107.66	GA-1-PE/AM	GS-1(T)/AM	GS-2(T)/AM VPAL 093-099	-	-	-	-	GAS-1/9/AM
ASTER-54.6	0.37	107.66	GA-1-PE/AM	GS-1(T)/AM	GS-2(T)/AM VPAL 093-099	-	-	-	-	GAS-1/9/AM
ACSR LA-56	0.37	107.75	GA-1-PE/AM	GS-1(T)/AM	GS-2(T)/AM VPAL 093-099	-	-	-	-	GAS-1/9/AM
AAC L-56	0.37	107.75	GA-1-PE/AM	GS-1(T)/AM	GS-2(T)/AM VPAL 093-099	-	-	-	-	GAS-1/9/AM
AAAC D-56	0.37	107.75	GA-1-PE/AM	GS-1(T)/AM	GS-2(T)/AM VPAL 093-099	-	-	-	-	GAS-1/9/AM
ACSR 50/8.0	0.38	111.11	GA-1-PE/AM	GS-1(T)/AM	GS-3(T)/AM VPAL 093-099	-	GS-4-AE/AM VPAL 093-099	-	GST-4/AM VPAL 093-099	GAS-1/9/AM
AAAC-HAZEL	0.39	118.21	GA-1-PE/AM	GS-1(T)/AM	GS-3(T)/AM VPAL 093-099	-	GS-4-AE/AM VPAL 093-099	-	GST-4/AM VPAL 093-099	GAS-1/10/AM
ACSR RABBIT	0.40	121.77	GA-1-PE/AM	GS-1(T)/AM	GS-3(T)/AM VPAL 099-105	-	GS-4-AE/AM VPAL 099-105	-	GST-4/AM VPAL 099-105	GAS-1/10/AM
ACSR RAVEN	0.40	123.11	GA-1-PE/AM	GS-1(T)/AM	GS-3(T)/AM VPAL 099-105	-	GS-4-AE/AM VPAL 099-105	-	GST-4/AM VPAL 099-105	GAS-1/10/AM
AAAC AZUSA	0.40	123.11	GA-1-PE/AM	GS-1(T)/AM	GS-3(T)/AM VPAL 099-105	-	GS-4-AE/AM VPAL 099-105	-	GST-4/AM VPAL 099-105	GAS-1/10/AM
ACAR-123.3	0.40	123.35	GA-1-PE/AM	GS-1(T)/AM	GS-3(T)/AM VPAL 099-105	-	GS-4-AE/AM VPAL 099-105	-	GST-4/AM VPAL 099-105	GAS-1/10/AM
AAAC-63	0.40	124.33	GA-1-PE/AM	GS-1(T)/AM	GS-3(T)/AM VPAL 099-105	-	GS-4-AE/AM VPAL 099-105	-	GST-4/AM VPAL 099-105	GAS-1/10/AM
AAC FLY	0.40	125.42	GA-1-PE/AM	GS-1(T)/AM	GS-3(T)/AM VPAL 099-105	-	GS-4-AE/AM VPAL 099-105	-	GST-4/AM VPAL 099-105	GAS-1/10/AM
AAC-70	0.41	129.90	GA-1-PE/AM	GS-1(T)/AM	GS-3(T)/AM VPAL 099-105	-	GS-4-AE/AM VPAL 099-105	-	GST-4/AM VPAL 099-105	GAS-1/10/AM
AAAC-70	0.41	129.90	GA-1-PE/AM	GS-1(T)/AM	GS-3(T)/AM VPAL 099-105	-	GS-4-AE/AM VPAL 099-105	-	GST-4/AM VPAL 099-105	GAS-1/10/AM
AAC ASTER	0.41	133.06	GA-1-PE/AM	GS-1(T)/AM	GS-3(T)/AM VPAL 105-111	-	GS-4-AE/AM VPAL 105-111	-	GST-4/AM VPAL 105-111	GAS-1/10/AM

## ALUMINUM CONDUCTORS DIAMETER UP TO 0.49 inch (12,50 mm)

Conductor			Suspension Clamps							
Code Name	Ø Ext. (inch)	Size (kcmil)	Strain Clamp	Suspension Clamp	Suspension Clamp +Armor rods	Corona Free Suspension Clamp	Corona Free Suspension Clamp +Armor rods	Center Free Suspension Clamp	Center Free Suspension Clamp +Armor rods	Armor Grip Suspension Clamp
ACAR 2/0 AWG	0.41	133.02	GA-1-PE/AM	GS-1(T)/AM	GS-3 (T)/AM VPAL 105-111	-	GS-4-AE/AM VPAL 105-111	-	GST-4/AM VPAL 105-111	GAS-1/10/AM
AAC-69.3	0.42	136.73	GA-1-PE/AM	GS-1(T)/AM	GS-3 (T)/AM VPAL 105-111	-	GS-4-AE/AM VPAL 105-111	-	GST-4/AM VPAL 105-111	GAS-1/10/AM
AAAC PINE	0.43	141.50	GA-1-PE/AM	GS-1(T)/AM	GS-3 (T)/AM VPAL 105-111	-	GS-4-AE/AM VPAL 105-111	-	GST-4/AM VPAL 105-111	GAS-1/11/AM
ACSR MINK	0.43	145.47	GA-1-PE/AM	GS-1(T)/AM	GS-3 (T)/AM VPAL 105-111	-	GS-4-AE/AM VPAL 105-111	-	GST-4/AM VPAL 105-111	GAS-1/11/AM
AAC-75.5	0.44	149.08	GA-1-PE/AM	GS-1(T)/AM	GS-3 (T)/AM VPAL 111-124	-	GS-4-AE/AM VPAL 111-124	-	GST-4/AM VPAL 111-124	GAS-1/11/AM
ASTER-75.5	0.44	149.08	GA-1-PE/AM	GS-1(T)/AM	GS-3 (T)/AM VPAL 111-124	-	GS-4-AE/AM VPAL 111-124	-	GST-4/AM VPAL 111-124	GAS-1/11/AM
AAC L-80	0.44	149.00	GA-1-PE/AM	GS-1(T)/AM	GS-3 (T)/AM VPAL 111-124	-	GS-4-AE/AM VPAL 111-124	-	GST-4/AM VPAL 111-124	GAS-1/11/AM
AAAC D-80	0.44	149.00	GA-1-PE/AM	GS-1(T)/AM	GS-3 (T)/AM VPAL 111-124	-	GS-4-AE/AM VPAL 111-124	-	GST-4/AM VPAL 111-124	GAS-1/11/AM
ACSR LA-78	0.45	155.12	GA-1-PE/AM	GS-1(T)/AM	GS-3 (T)/AM VPAL 111-124	-	GS-4-AE/AM VPAL 111-124	-	GST-4/AM VPAL 111-124	GAS-1/11/AM
ACSR QUAIL	0.45	155.22	GA-1-PE/AM	GS-1(T)/AM	GS-3 (T)/AM VPAL 111-124	-	GS-4-AE/AM VPAL 111-124	-	GST-4/AM VPAL 111-124	GAS-1/11/AM
AAAC ANAHEIM	0.45	155.22	GA-1-PE/AM	GS-1(T)/AM	GS-3 (T)/AM VPAL 111-124	-	GS-4-AE/AM VPAL 111-124	-	GST-4/AM VPAL 111-124	GAS-1/11/AM
ACAR 155.4	0.45	155.32	GA-1-PE/AM	GS-1(T)/AM	GS-3 (T)/AM VPAL 111-124	-	GS-4-AE/AM VPAL 111-124	-	GST-4/AM VPAL 111-124	GAS-1/11/AM
AAC EARWING	0.45	154.92	GA-1-PE/AM	GS-1(T)/AM	GS-3 (T)/AM VPAL 111-124	-	GS-4-AE/AM VPAL 111-124	-	GST-4/AM VPAL 111-124	GAS-1/11/AM
AAAC-80	0.45	157.88	GA-1-PE/AM	GS-1(T)/AM	GS-3 (T)/AM VPAL 111-124	-	GS-4-AE/AM VPAL 111-124	-	GST-4/AM VPAL 111-124	GAS-1/11/AM
AAC GRASSHOPPER	0.46	165.97	GA-1-PE/AM	GS-1(T)/AM	GS-3 (T)/AM VPAL 111-124	-	GS-4-AE/AM VPAL 111-124	-	GST-4/AM VPAL 111-124	GAS-1/11/AM
ACAR 3/0 AWG	0.46	167,75	GA-1-PE/AM	GS-1(T)/AM	GS-3 (T)/AM VPAL 111-124	-	GS-4-AE/AM VPAL 111-124	-	GST-4/AM VPAL 111-124	GAS-3/12/AM
AAC PHLOX	0.46	167,81	GA-1-PE/AM	GS-1(T)/AM	GS-3 (T)/AM VPAL 111-124	-	GS-4-AE/AM VPAL 111-124	-	GST-4/AM VPAL 111-124	GAS-3/12/AM
ACSR BEAVER	0.47	172,27	GA-1-PE/AM	GS-1(T)/AM	GS-3 (T)/AM VPAL 111-124	-	GS-4-AE/AM VPAL 111-124	-	GST-4/AM VPAL 111-124	GAS-3/12/AM
AAAC WILLOW	0.48	177,22	GA-2(T)/AM	GS-2(T)/AM	GS-3 (T)/AM VPAL 111-124	-	GS-4-AE/AM VPAL 111-124	-	GST-4/AM VPAL 111-124	GAS-3/12/AM
ASTER-93-3	0.49	184,07	GA-2(T)/AM	GS-2(T)/AM	GS-3 (T)/AM VPAL 124-132	-	GS-4-AE/AM VPAL 124-132	-	GST-4/AM VPAL 124-132	GAS-3/12/AM