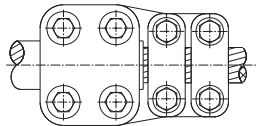


STRAIGHT CONNECTORS / RACCORDS DROITS

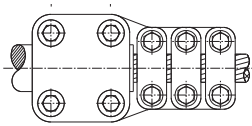


CONECTORES RECTOS / STRAIGHT CONNECTORS / RACCORDS DROITS



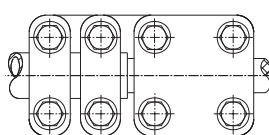
MRBCT

[Pag. N1](#)



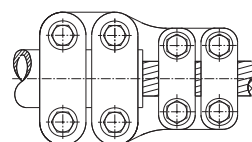
MRBTC3

[Pag. N2](#)



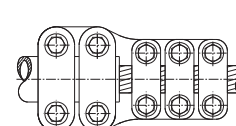
MRBBT

[Pag. N3](#)



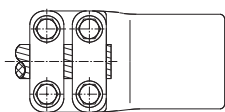
MRBC

[Pag. N4](#)



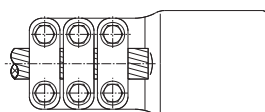
MRBC3

[Pag. N5](#)



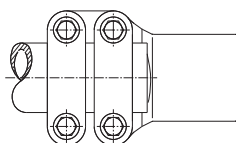
MRCP

[Pag. N6](#)



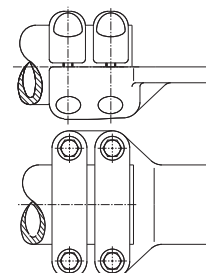
MRCP3

[Pag. N7](#)



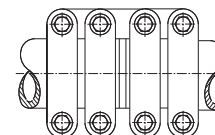
MRBP

[Pag. N8](#)



MRBPE

[Pag. N9](#)



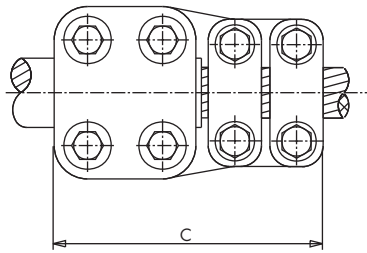
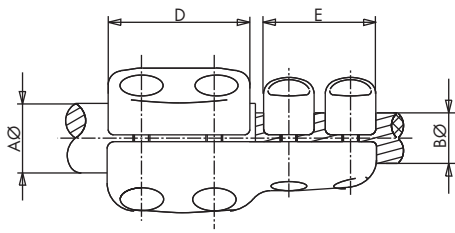
MRBB

[Pag. N9](#)

STRAIGHT CONNECTOR UNION STUD TO CABLE

CONECTOR RECTO UNIÓN BORNA A CABLE

RACCORD DROIT JONCTION BORNE À CABLE



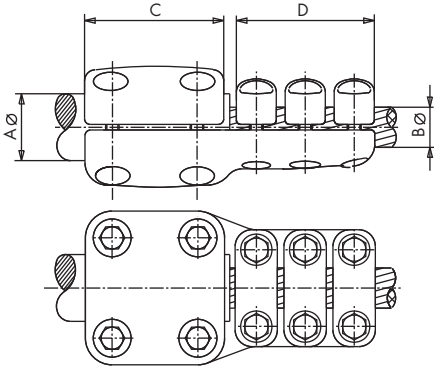
MRBCT

| Referencia Code Référence | mm. | | | | | | Par de apriete Tightening torque Couple de serrage (kg.m) | |
|---------------------------------|-----|------|------|-----|-----|----|--|---|
| | AØ | BØ | | C | D | E | A | B |
| | | Mín. | Máx. | | | | | |
| MRBCT-1615 | 16 | 12 | 15 | 180 | 92 | 82 | 3 | 3 |
| MRBCT-1618 | 16 | 16 | 19 | 180 | 92 | 82 | 3 | 3 |
| MRBCT-1622 | 16 | 20 | 23 | 180 | 92 | 82 | 3 | 3 |
| MRBCT-2025 | 20 | 24 | 26 | 180 | 92 | 82 | 3 | 3 |
| MRBCT-2015 | 20 | 12 | 15 | 180 | 92 | 82 | 3 | 3 |
| MRBCT-2018 | 20 | 16 | 19 | 180 | 92 | 82 | 3 | 3 |
| MRBCT-2022 | 25 | 20 | 23 | 180 | 92 | 82 | 3 | 3 |
| MRBCT-2025 | 20 | 24 | 26 | 180 | 92 | 82 | 3 | 3 |
| MRBCT-2030 | 20 | 27 | 30 | 180 | 92 | 82 | 3 | 3 |
| MRBCT-2515 | 25 | 12 | 15 | 180 | 92 | 82 | 3 | 3 |
| MRBCT-2518 | 25 | 33 | 35 | 180 | 92 | 82 | 3 | 3 |
| MRBCT-2522 | 25 | 20 | 23 | 180 | 92 | 82 | 3 | 3 |
| MRBCT-2525 | 25 | 24 | 26 | 180 | 92 | 82 | 3 | 3 |
| MRBCT-2530 | 25 | 27 | 30 | 180 | 92 | 82 | 3 | 3 |
| MRBCT-3015 | 30 | 12 | 15 | 180 | 92 | 82 | 3 | 3 |
| MRBCT-3018 | 30 | 16 | 19 | 180 | 92 | 82 | 3 | 3 |
| MRBCT-3022 | 30 | 20 | 23 | 180 | 92 | 82 | 3 | 3 |
| MRBCT-3025 | 30 | 24 | 26 | 180 | 92 | 82 | 3 | 3 |
| MRBCT-3030 | 30 | 27 | 30 | 180 | 92 | 82 | 3 | 3 |
| MRBCT-1632 | 16 | 31 | 32 | 202 | 107 | 85 | 5 | 5 |
| MRBCT-1635 | 16 | 33 | 35 | 202 | 107 | 85 | 5 | 5 |
| MRBCT-1638 | 16 | 36 | 39 | 202 | 107 | 85 | 5 | 5 |
| MRBCT-2032 | 20 | 31 | 32 | 202 | 107 | 85 | 5 | 5 |
| MRBCT-2035 | 20 | 33 | 35 | 202 | 107 | 85 | 5 | 5 |
| MRBCT-2038 | 20 | 36 | 39 | 202 | 107 | 85 | 5 | 5 |
| MRBCT-2532 | 25 | 31 | 32 | 202 | 107 | 85 | 5 | 5 |
| MRBCT-2535 | 25 | 33 | 35 | 202 | 107 | 85 | 5 | 5 |
| MRBCT-2538 | 25 | 36 | 39 | 202 | 107 | 85 | 5 | 5 |
| MRBCT-2543 | 25 | 40 | 43 | 202 | 107 | 85 | 5 | 5 |
| MRBCT-3032 | 30 | 31 | 32 | 202 | 107 | 85 | 5 | 5 |
| MRBCT-3035 | 30 | 33 | 35 | 202 | 107 | 85 | 5 | 5 |
| MRBCT-3038 | 30 | 36 | 39 | 202 | 107 | 85 | 5 | 5 |
| MRBCT-3043 | 30 | 40 | 43 | 202 | 107 | 85 | 5 | 5 |
| MRBCT-4015 | 40 | 12 | 15 | 202 | 107 | 85 | 5 | 5 |
| MRBCT-4018 | 40 | 16 | 19 | 202 | 107 | 85 | 5 | 5 |
| MRBCT-4022 | 40 | 20 | 23 | 202 | 107 | 85 | 5 | 5 |
| MRBCT-4025 | 40 | 24 | 26 | 202 | 107 | 85 | 5 | 5 |
| MRBCT-4030 | 40 | 27 | 30 | 202 | 107 | 85 | 5 | 5 |
| MRBCT-4032 | 40 | 31 | 32 | 202 | 107 | 85 | 5 | 5 |
| MRBCT-4035 | 40 | 33 | 35 | 202 | 107 | 85 | 5 | 5 |
| MRBCT-4038 | 40 | 36 | 39 | 202 | 107 | 85 | 5 | 5 |
| MRBCT-4043 | 40 | 40 | 43 | 202 | 107 | 85 | 5 | 5 |
| MRBCT-5018 | 50 | 16 | 19 | 195 | 100 | 82 | 5 | 3 |
| MRBCT-5022 | 50 | 20 | 23 | 195 | 100 | 82 | 5 | 3 |
| MRBCT-5025 | 50 | 24 | 26 | 195 | 100 | 82 | 5 | 3 |
| MRBCT-5030 | 50 | 27 | 30 | 195 | 100 | 85 | 5 | 3 |
| MRBCT-5032 | 50 | 31 | 32 | 198 | 100 | 85 | 5 | 5 |
| MRBCT-5035 | 50 | 33 | 35 | 198 | 100 | 85 | 5 | 5 |
| MRBCT-5038 | 50 | 36 | 39 | 198 | 100 | 85 | 5 | 5 |
| MRBCT-5043 | 50 | 40 | 43 | 198 | 100 | 82 | 5 | 5 |
| MRBCT-6018 | 60 | 16 | 19 | 195 | 100 | 82 | 5 | 3 |
| MRBCT-6022 | 60 | 20 | 23 | 195 | 100 | 82 | 5 | 3 |
| MRBCT-6025 | 60 | 24 | 26 | 195 | 100 | 82 | 5 | 3 |
| MRBCT-6030 | 60 | 27 | 30 | 195 | 100 | 82 | 5 | 3 |
| MRBCT-6032 | 60 | 31 | 32 | 200 | 100 | 85 | 5 | 5 |
| MRBCT-6035 | 60 | 33 | 35 | 200 | 100 | 85 | 5 | 5 |
| MRBCT-6038 | 60 | 36 | 39 | 200 | 100 | 85 | 5 | 5 |
| MRBCT-6043 | 60 | 40 | 43 | 200 | 100 | 85 | 5 | 5 |

STRAIGHT CONNECTOR UNION STUD TO CABLE

CONECTOR RECTO UNIÓN BORNA A CABLE

RACCORD DROIT JONCTION BORNE À CABLE



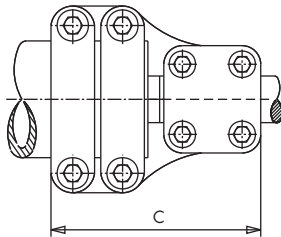
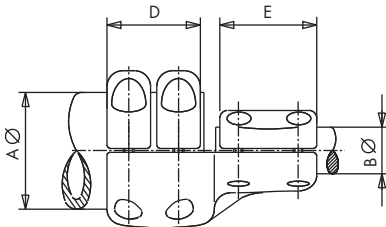
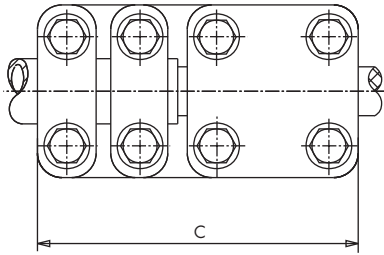
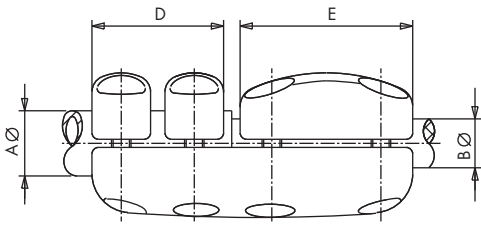
MRBTC3

| Referencia Code Référence | mm. | | | | | Par de apriete Tightening torque Couple de serrage (kg.m) |
|---------------------------------|-----|------|------|-----|-----|--|
| | Aø | Bø | | C | D | |
| | | Mín. | Máx. | | | |
| MRBTC3-3030 | 30 | 27 | 30 | 90 | 138 | 5 |
| MRBTC3-3032 | 30 | 31 | 32 | 90 | 138 | 5 |
| MRBTC3-3035 | 30 | 33 | 35 | 90 | 138 | 5 |
| MRBTC3-3038 | 30 | 36 | 39 | 90 | 138 | 5 |
| MRBTC3-3043 | 30 | 40 | 43 | 90 | 138 | 5 |
| MRBTC3-4030 | 40 | 27 | 30 | 90 | 138 | 5 |
| MRBTC3-4032 | 40 | 31 | 32 | 90 | 138 | 5 |
| MRBTC3-4035 | 40 | 33 | 35 | 90 | 138 | 5 |
| MRBTC3-4038 | 40 | 36 | 39 | 90 | 138 | 5 |
| MRBTC3-4043 | 40 | 40 | 43 | 90 | 138 | 5 |
| MRBTC3-5030 | 50 | 27 | 30 | 100 | 138 | 5 |
| MRBTC3-5032 | 50 | 31 | 32 | 100 | 138 | 5 |
| MRBTC3-5035 | 50 | 33 | 35 | 100 | 138 | 5 |
| MRBTC3-5038 | 50 | 36 | 39 | 100 | 138 | 5 |
| MRBTC3-5043 | 50 | 40 | 43 | 100 | 138 | 5 |
| MRBTC3-6030 | 60 | 27 | 30 | 100 | 138 | 5 |
| MRBTC3-6032 | 60 | 31 | 32 | 100 | 138 | 5 |
| MRBTC3-6035 | 60 | 33 | 35 | 100 | 138 | 5 |
| MRBTC3-6038 | 60 | 36 | 39 | 100 | 138 | 5 |
| MRBTC3-6043 | 60 | 40 | 43 | 100 | 138 | 5 |

STRAIGHT CONNECTOR UNION TUBE TO STUD

CONECTOR RECTO UNIÓN TUBO A BORNA

RACCORD DROIT JONCTION TUBE À BORNE



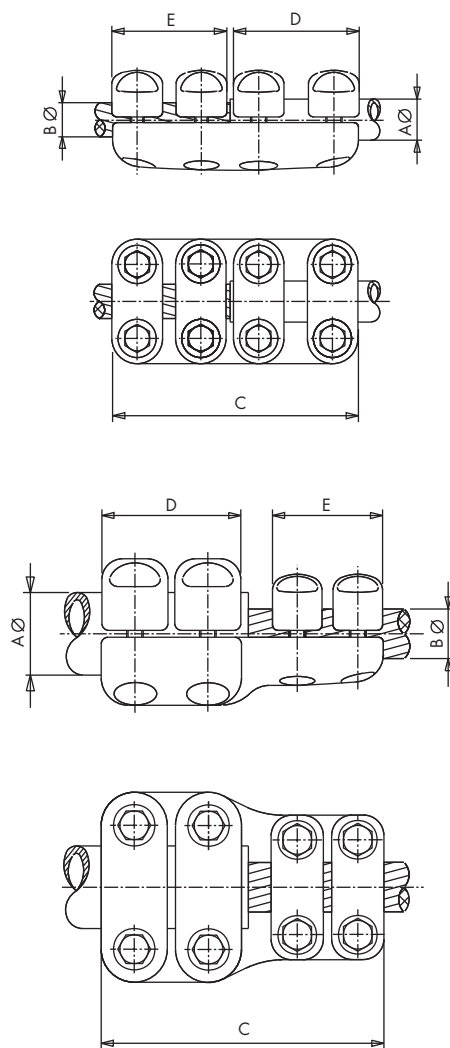
MRBBT

| Referencia Code Référence | mm. | | | | | Par de apriete Tightening torque Couple de serrage (kg.m) | |
|---------------------------------|-----------------|-----------------|-----|-----|-----|--|---|
| | A \varnothing | B \varnothing | C | D | E | A | B |
| | MRBBT-3030 | 30 | 30 | 180 | 82 | 92 | 3 |
| MRBBT-4030 | 40 | 30 | 202 | 85 | 107 | 5 | 5 |
| MRBBT-4050 | 40 | 50 | 200 | 85 | 100 | 5 | 5 |
| MRBBT-4060 | 40 | 60 | 200 | 85 | 100 | 5 | 5 |
| MRBBT-5030 | 50 | 30 | 195 | 100 | 82 | 5 | 3 |
| MRBBT-5040 | 50 | 40 | 200 | 100 | 85 | 5 | 5 |
| MRBBT-5060 | 50 | 60 | 205 | 100 | 100 | 5 | 5 |
| MRBBT-6030 | 60 | 30 | 195 | 100 | 82 | 5 | 3 |
| MRBBT-6040 | 60 | 40 | 200 | 100 | 85 | 5 | 5 |
| MRBBT-6050 | 60 | 50 | 205 | 100 | 100 | 5 | 5 |
| MRBBT-8030 | 80 | 30 | 194 | 100 | 85 | 5 | 3 |
| MRBBT-8040 | 80 | 40 | 200 | 100 | 90 | 5 | 5 |
| MRBBT-8050 | 80 | 50 | 210 | 100 | 100 | 5 | 5 |
| MRBBT-8060 | 80 | 60 | 210 | 100 | 100 | 5 | 5 |
| MRBBT-10030 | 100 | 30 | 205 | 100 | 90 | 5 | 5 |
| MRBBT-10040 | 100 | 40 | 205 | 100 | 90 | 5 | 5 |
| MRBBT-10050 | 100 | 50 | 210 | 100 | 100 | 5 | 5 |
| MRBBT-10060 | 100 | 60 | 210 | 100 | 100 | 5 | 5 |
| MRBBT-12030 | 120 | 30 | 210 | 110 | 90 | 7 | 5 |
| MRBBT-12040 | 120 | 40 | 210 | 110 | 90 | 7 | 5 |
| MRBBT-12050 | 120 | 50 | 220 | 110 | 100 | 7 | 5 |
| MRBBT-12060 | 120 | 60 | 220 | 110 | 100 | 7 | 5 |
| MRBBT-15030 | 150 | 30 | 230 | 120 | 90 | 7 | 5 |
| MRBBT-15040 | 150 | 40 | 230 | 120 | 90 | 7 | 5 |
| MRBBT-15050 | 150 | 50 | 245 | 120 | 100 | 7 | 5 |
| MRBBT-15060 | 150 | 60 | 245 | 120 | 100 | 7 | 5 |

STRAIGHT CONNECTOR UNION TUBE TO CABLE

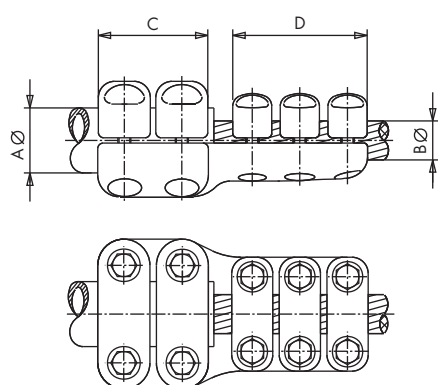
CONECTOR RECTO UNIÓN TUBO A CABLE

RACCORD DROIT JONCTION TUBE À CABLE



MRBC

| Referencia Code Référence | mm. | | | | | | Par de apriete Tightening torque Couple de serrage (kg.m) | |
|---------------------------------|-----|------|------|-----|-----|----|--|---|
| | AØ | BØ | | C | D | E | A | B |
| | | Mín. | Máx. | | | | | |
| MRBC-3015 | 30 | 12 | 15 | 180 | 92 | 82 | 3 | 3 |
| MRBC-3018 | 30 | 16 | 19 | 180 | 92 | 82 | 3 | 3 |
| MRBC-3022 | 30 | 20 | 23 | 180 | 92 | 82 | 3 | 3 |
| MRBC-3025 | 30 | 24 | 26 | 180 | 92 | 82 | 3 | 3 |
| MRBC-3030 | 30 | 27 | 30 | 180 | 92 | 82 | 3 | 3 |
| MRBC-3032 | 30 | 31 | 32 | 202 | 107 | 85 | 5 | 5 |
| MRBC-3035 | 30 | 33 | 35 | 202 | 107 | 85 | 5 | 5 |
| MRBC-3038 | 30 | 36 | 39 | 202 | 107 | 85 | 5 | 5 |
| MRBC-3043 | 30 | 40 | 43 | 202 | 107 | 85 | 5 | 5 |
| MRBC-4015 | 40 | 12 | 15 | 202 | 107 | 85 | 5 | 5 |
| MRBC-4018 | 40 | 16 | 19 | 202 | 107 | 85 | 5 | 5 |
| MRBC-4022 | 40 | 20 | 23 | 202 | 107 | 85 | 5 | 5 |
| MRBC-4025 | 40 | 24 | 26 | 202 | 107 | 85 | 5 | 5 |
| MRBC-4030 | 40 | 27 | 30 | 202 | 107 | 85 | 5 | 5 |
| MRBC-4032 | 40 | 31 | 32 | 202 | 107 | 85 | 5 | 5 |
| MRBC-4035 | 40 | 33 | 35 | 202 | 107 | 85 | 5 | 5 |
| MRBC-4038 | 40 | 36 | 39 | 202 | 107 | 85 | 5 | 5 |
| MRBC-4043 | 40 | 40 | 43 | 202 | 107 | 85 | 5 | 5 |
| MRBC-5018 | 50 | 16 | 19 | 195 | 100 | 82 | 5 | 3 |
| MRBC-5022 | 50 | 20 | 23 | 195 | 100 | 82 | 5 | 3 |
| MRBC-5025 | 50 | 24 | 26 | 195 | 100 | 82 | 5 | 3 |
| MRBC-5030 | 50 | 27 | 30 | 195 | 100 | 82 | 5 | 3 |
| MRBC-5032 | 50 | 31 | 32 | 198 | 100 | 85 | 5 | 5 |
| MRBC-5035 | 50 | 33 | 35 | 198 | 100 | 85 | 5 | 5 |
| MRBC-5038 | 50 | 36 | 39 | 198 | 100 | 85 | 5 | 5 |
| MRBC-5043 | 50 | 40 | 43 | 198 | 100 | 85 | 5 | 5 |
| MRBC-6018 | 60 | 16 | 19 | 195 | 100 | 82 | 5 | 3 |
| MRBC-6022 | 60 | 20 | 23 | 195 | 100 | 82 | 5 | 3 |
| MRBC-6025 | 60 | 24 | 26 | 195 | 100 | 82 | 5 | 2 |
| MRBC-6030 | 60 | 27 | 30 | 195 | 100 | 82 | 5 | 2 |
| MRBC-6032 | 60 | 31 | 32 | 200 | 100 | 85 | 5 | 5 |
| MRBC-6035 | 60 | 33 | 35 | 200 | 100 | 85 | 5 | 5 |
| MRBC-6038 | 60 | 36 | 39 | 200 | 100 | 85 | 5 | 5 |
| MRBC-6043 | 60 | 40 | 43 | 200 | 100 | 85 | 5 | 5 |
| MRBC-8022 | 80 | 20 | 23 | 194 | 100 | 85 | 5 | 3 |
| MRBC-8025 | 80 | 24 | 26 | 194 | 100 | 85 | 5 | 2 |
| MRBC-8030 | 80 | 27 | 30 | 194 | 100 | 85 | 5 | 2 |
| MRBC-8032 | 80 | 31 | 32 | 200 | 100 | 90 | 5 | 5 |
| MRBC-8035 | 80 | 33 | 35 | 200 | 100 | 90 | 5 | 5 |
| MRBC-8038 | 80 | 36 | 39 | 200 | 100 | 90 | 5 | 5 |
| MRBC-8043 | 80 | 40 | 43 | 200 | 100 | 90 | 5 | 5 |
| MRBC-10022 | 100 | 20 | 23 | 205 | 100 | 90 | 5 | 5 |
| MRBC-10025 | 100 | 24 | 26 | 205 | 100 | 90 | 5 | 5 |
| MRBC-10030 | 100 | 27 | 30 | 205 | 100 | 90 | 5 | 5 |
| MRBC-10032 | 100 | 31 | 32 | 205 | 100 | 90 | 5 | 5 |
| MRBC-10035 | 100 | 33 | 35 | 205 | 100 | 90 | 5 | 5 |
| MRBC-10038 | 100 | 36 | 39 | 205 | 100 | 90 | 5 | 5 |
| MRBC-10043 | 100 | 40 | 43 | 205 | 100 | 90 | 5 | 5 |
| MRBC-12030 | 120 | 27 | 30 | 210 | 110 | 90 | 7 | 5 |
| MRBC-12032 | 120 | 31 | 32 | 210 | 110 | 90 | 7 | 5 |
| MRBC-12035 | 120 | 33 | 35 | 210 | 110 | 90 | 7 | 5 |
| MRBC-12038 | 120 | 36 | 39 | 210 | 110 | 90 | 7 | 5 |
| MRBC-12043 | 120 | 40 | 43 | 210 | 110 | 90 | 7 | 5 |
| MRBC-15032 | 150 | 31 | 32 | 230 | 120 | 90 | 7 | 5 |
| MRBC-15035 | 150 | 33 | 35 | 230 | 120 | 90 | 7 | 5 |
| MRBC-15038 | 150 | 36 | 39 | 230 | 120 | 90 | 7 | 5 |
| MRBC-15043 | 150 | 40 | 43 | 230 | 120 | 90 | 7 | 5 |



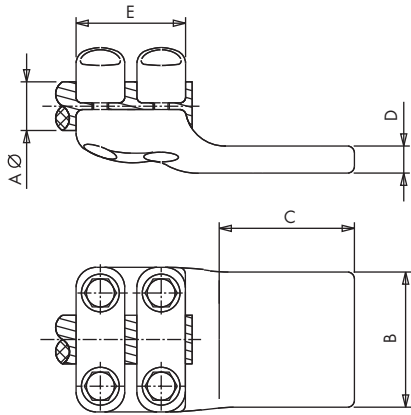
MRBC3

| Referencia Code Référence | mm. | | | | | Par de apriete Tightening torque Couple de serrage (kg.m) | |
|---------------------------------|-----|------|------|-----|-----|--|---|
| | Aø | Bø | | C | D | A | B |
| | | Mín. | Máx. | | | | |
| MRBC3-3030 | 30 | 27 | 30 | 90 | 138 | 5 | 5 |
| MRBC3-3032 | 30 | 31 | 32 | 90 | 138 | 5 | 5 |
| MRBC3-3035 | 30 | 33 | 35 | 90 | 138 | 5 | 5 |
| MRBC3-3038 | 30 | 36 | 39 | 90 | 138 | 5 | 5 |
| MRBC3-3043 | 30 | 40 | 43 | 90 | 138 | 5 | 5 |
| MRBC3-4030 | 40 | 27 | 30 | 90 | 138 | 5 | 5 |
| MRBC3-4032 | 40 | 31 | 32 | 90 | 138 | 5 | 5 |
| MRBC3-4035 | 40 | 33 | 35 | 90 | 138 | 5 | 5 |
| MRBC3-4038 | 40 | 36 | 39 | 90 | 138 | 5 | 5 |
| MRBC3-4043 | 40 | 40 | 43 | 90 | 138 | 5 | 5 |
| MRBC3-5030 | 50 | 27 | 30 | 100 | 138 | 5 | 5 |
| MRBC3-5032 | 50 | 31 | 32 | 100 | 138 | 5 | 5 |
| MRBC3-5035 | 50 | 33 | 35 | 100 | 138 | 5 | 5 |
| MRBC3-5038 | 50 | 36 | 39 | 100 | 138 | 5 | 5 |
| MRBC3-5043 | 50 | 40 | 43 | 100 | 138 | 5 | 5 |
| MRBC3-6030 | 60 | 27 | 30 | 100 | 138 | 5 | 5 |
| MRBC3-6032 | 60 | 31 | 32 | 100 | 138 | 5 | 5 |
| MRBC3-6035 | 60 | 33 | 35 | 100 | 138 | 5 | 5 |
| MRBC3-6038 | 60 | 36 | 39 | 100 | 138 | 5 | 5 |
| MRBC3-6043 | 60 | 40 | 43 | 100 | 138 | 5 | 5 |
| MRBC3-8030 | 80 | 27 | 30 | 100 | 138 | 5 | 5 |
| MRBC3-8032 | 80 | 31 | 32 | 100 | 138 | 5 | 5 |
| MRBC3-8035 | 80 | 33 | 35 | 100 | 138 | 5 | 5 |
| MRBC3-8038 | 80 | 36 | 39 | 100 | 138 | 5 | 5 |
| MRBC3-8043 | 80 | 40 | 43 | 100 | 138 | 5 | 5 |
| MRBC3-10030 | 100 | 27 | 30 | 100 | 138 | 5 | 5 |
| MRBC3-10032 | 100 | 31 | 32 | 100 | 138 | 5 | 5 |
| MRBC3-10035 | 100 | 33 | 35 | 100 | 138 | 5 | 5 |
| MRBC3-10038 | 100 | 36 | 39 | 100 | 138 | 5 | 5 |
| MRBC3-10043 | 100 | 40 | 43 | 100 | 138 | 5 | 5 |
| MRBC3-12030 | 120 | 27 | 30 | 110 | 138 | 7 | 5 |
| MRBC3-12032 | 120 | 31 | 32 | 110 | 138 | 7 | 5 |
| MRBC3-12035 | 120 | 33 | 35 | 110 | 138 | 7 | 5 |
| MRBC3-12038 | 120 | 36 | 39 | 110 | 138 | 7 | 5 |
| MRBC3-12043 | 120 | 40 | 43 | 110 | 138 | 7 | 5 |
| MRBC3-15032 | 150 | 31 | 32 | 120 | 138 | 7 | 5 |
| MRBC3-15035 | 150 | 33 | 35 | 120 | 138 | 7 | 5 |
| MRBC3-15038 | 150 | 36 | 39 | 120 | 138 | 7 | 5 |
| MRBC3-15043 | 150 | 40 | 43 | 120 | 138 | 7 | 5 |

STRAIGHT CONNECTOR UNION CABLE TO FLATBAR

CONECTOR RECTO UNIÓN CABLE A PLETINA

RACCORD DROIT JONCTION CABLE À BARRE MÈPLATE



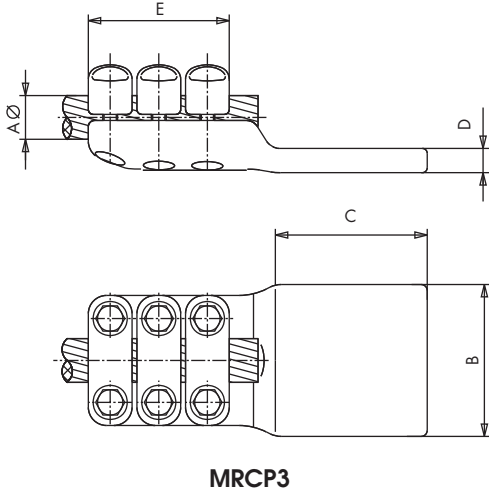
MRCP

| Referencia Code Référence | mm. | | | | | | Par de apriete Tightening torque Couple de serrage (kg.m) |
|---------------------------------|------|------|-----|-----|----|----|--|
| | A∅ | | B | C | D | E | |
| | Mín. | Máx. | | | | | |
| MRCP-1533 | 12 | 15 | 50 | 50 | 20 | 82 | 3 |
| MRCP-1535 | 12 | 15 | 50 | 80 | 20 | 82 | 3 |
| MRCP-1544 | 12 | 15 | 60 | 60 | 20 | 82 | 3 |
| MRCP-1546 | 12 | 15 | 60 | 100 | 20 | 82 | 3 |
| MRCP-1555 | 12 | 15 | 80 | 80 | 20 | 82 | 3 |
| MRCP-1566 | 12 | 15 | 100 | 100 | 20 | 82 | 3 |
| MRCP-1588 | 12 | 15 | 125 | 125 | 20 | 82 | 3 |
| MRCP-1833 | 16 | 19 | 50 | 50 | 20 | 82 | 3 |
| MRCP-1835 | 16 | 19 | 50 | 80 | 20 | 82 | 3 |
| MRCP-1844 | 16 | 19 | 60 | 60 | 20 | 82 | 3 |
| MRCP-1846 | 16 | 19 | 60 | 100 | 20 | 82 | 3 |
| MRCP-1855 | 16 | 19 | 80 | 80 | 20 | 82 | 3 |
| MRCP-1866 | 16 | 19 | 100 | 100 | 20 | 82 | 3 |
| MRCP-1888 | 16 | 19 | 125 | 125 | 20 | 82 | 3 |
| MRCP-2233 | 20 | 23 | 50 | 50 | 20 | 82 | 3 |
| MRCP-2235 | 20 | 23 | 50 | 80 | 20 | 82 | 3 |
| MRCP-2244 | 20 | 23 | 60 | 60 | 20 | 82 | 3 |
| MRCP-2246 | 20 | 23 | 60 | 100 | 20 | 82 | 3 |
| MRCP-2255 | 20 | 23 | 80 | 80 | 20 | 82 | 3 |
| MRCP-2266 | 20 | 23 | 100 | 100 | 20 | 82 | 3 |
| MRCP-2288 | 20 | 23 | 125 | 125 | 20 | 82 | 3 |
| MRCP-2533 | 24 | 26 | 50 | 50 | 20 | 82 | 3 |
| MRCP-2535 | 24 | 26 | 50 | 80 | 20 | 82 | 3 |
| MRCP-2544 | 24 | 26 | 60 | 60 | 20 | 82 | 3 |
| MRCP-2546 | 24 | 26 | 60 | 100 | 20 | 82 | 3 |
| MRCP-2555 | 24 | 26 | 80 | 80 | 20 | 82 | 3 |
| MRCP-2566 | 24 | 26 | 100 | 100 | 20 | 82 | 3 |
| MRCP-2588 | 24 | 26 | 125 | 125 | 20 | 82 | 3 |
| MRCP-3033 | 27 | 30 | 50 | 50 | 20 | 82 | 3 |
| MRCP-3035 | 27 | 30 | 50 | 80 | 20 | 82 | 3 |
| MRCP-3044 | 27 | 30 | 60 | 60 | 20 | 82 | 3 |
| MRCP-3046 | 27 | 30 | 60 | 100 | 20 | 82 | 3 |
| MRCP-3055 | 27 | 30 | 80 | 80 | 20 | 82 | 3 |
| MRCP-3066 | 27 | 30 | 100 | 100 | 20 | 82 | 3 |
| MRCP-3088 | 27 | 30 | 125 | 125 | 20 | 82 | 3 |
| MRCP-3233 | 31 | 32 | 50 | 50 | 20 | 85 | 5 |
| MRCP-3235 | 31 | 32 | 50 | 80 | 20 | 85 | 5 |
| MRCP-3244 | 31 | 32 | 60 | 60 | 20 | 85 | 5 |
| MRCP-3246 | 31 | 32 | 60 | 100 | 20 | 85 | 5 |
| MRCP-3255 | 31 | 32 | 80 | 80 | 20 | 85 | 5 |
| MRCP-3266 | 31 | 32 | 100 | 100 | 20 | 85 | 5 |
| MRCP-3288 | 31 | 32 | 125 | 125 | 20 | 85 | 5 |
| MRCP-3533 | 33 | 35 | 50 | 50 | 20 | 85 | 5 |
| MRCP-3535 | 33 | 35 | 50 | 80 | 20 | 85 | 5 |
| MRCP-3544 | 33 | 35 | 60 | 60 | 20 | 85 | 5 |
| MRCP-3546 | 33 | 35 | 60 | 100 | 20 | 85 | 5 |
| MRCP-3555 | 33 | 35 | 80 | 80 | 20 | 85 | 5 |
| MRCP-3566 | 33 | 35 | 100 | 100 | 20 | 85 | 5 |
| MRCP-3588 | 33 | 35 | 125 | 125 | 20 | 85 | 5 |
| MRCP-3833 | 36 | 39 | 50 | 50 | 20 | 85 | 5 |
| MRCP-3835 | 36 | 39 | 50 | 80 | 20 | 85 | 5 |
| MRCP-3844 | 36 | 39 | 60 | 60 | 20 | 85 | 5 |
| MRCP-3846 | 36 | 39 | 60 | 100 | 20 | 85 | 5 |
| MRCP-3855 | 36 | 39 | 80 | 80 | 20 | 85 | 5 |
| MRCP-3866 | 36 | 39 | 100 | 100 | 20 | 85 | 5 |
| MRCP-3888 | 36 | 39 | 125 | 125 | 20 | 85 | 5 |
| MRCP-4333 | 40 | 43 | 50 | 50 | 20 | 85 | 5 |
| MRCP-4335 | 40 | 43 | 50 | 80 | 20 | 85 | 5 |
| MRCP-4344 | 40 | 43 | 60 | 60 | 20 | 85 | 5 |
| MRCP-4346 | 40 | 43 | 60 | 100 | 20 | 85 | 5 |
| MRCP-4355 | 40 | 43 | 80 | 80 | 20 | 85 | 5 |
| MRCP-4366 | 40 | 43 | 100 | 100 | 20 | 85 | 5 |
| MRCP-4388 | 40 | 43 | 125 | 125 | 20 | 85 | 5 |

STRAIGHT CONNECTOR CABLE TO FLATBAR

CONECTOR RECTO CABLE A PLETINA

RACCORD DROIT CABLE À BARRE MÈPLATE

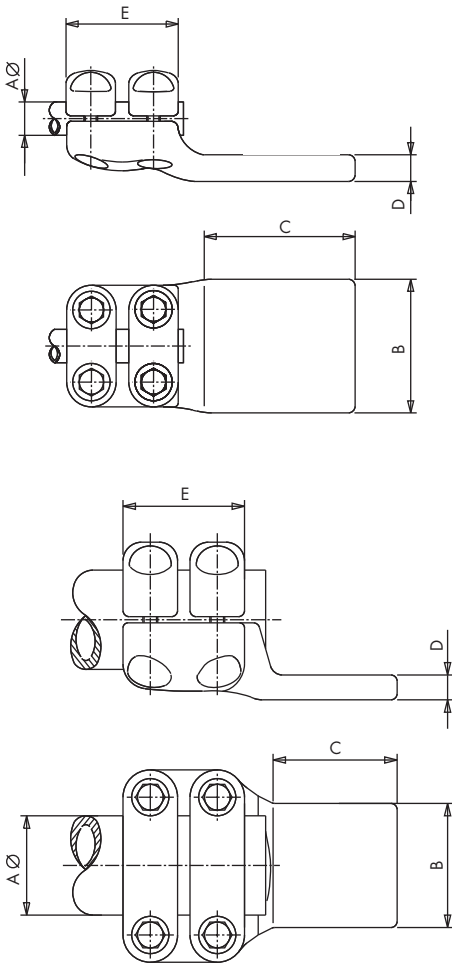


| Referencia Code Référence | mm. | | | | | | Par de apriete Tightening torque Couple de serrage (kg.m) |
|---------------------------------|-----------------|------|-----|-----|----|-----|--|
| | A \varnothing | | B | C | D | E | |
| | Mín. | Máx. | | | | | |
| MRCP3-3055 | 27 | 30 | 80 | 80 | 20 | 120 | 3 |
| MRCP3-3066 | 27 | 30 | 100 | 100 | 20 | 120 | 3 |
| MRCP3-3088 | 27 | 30 | 125 | 125 | 20 | 120 | 3 |
| MRCP3-30106 | 27 | 30 | 200 | 100 | 20 | 120 | 3 |
| MRCP3-3255 | 31 | 32 | 80 | 80 | 20 | 120 | 3 |
| MRCP3-3266 | 31 | 32 | 100 | 100 | 20 | 120 | 3 |
| MRCP3-3288 | 31 | 32 | 125 | 125 | 20 | 120 | 3 |
| MRCP3-32106 | 31 | 32 | 200 | 100 | 20 | 120 | 3 |
| MRCP3-3555 | 33 | 35 | 80 | 80 | 20 | 120 | 3 |
| MRCP3-3566 | 33 | 35 | 100 | 100 | 20 | 120 | 3 |
| MRCP3-3588 | 33 | 35 | 125 | 125 | 20 | 120 | 3 |
| MRCP3-35106 | 33 | 35 | 200 | 100 | 20 | 120 | 3 |
| MRCP3-3855 | 36 | 39 | 80 | 80 | 20 | 120 | 3 |
| MRCP3-3866 | 36 | 39 | 100 | 100 | 20 | 120 | 3 |
| MRCP3-3888 | 36 | 39 | 125 | 125 | 20 | 120 | 3 |
| MRCP3-38106 | 36 | 39 | 200 | 100 | 20 | 120 | 3 |
| MRCP3-4355 | 40 | 43 | 80 | 80 | 20 | 120 | 3 |
| MRCP3-4366 | 40 | 43 | 100 | 100 | 20 | 120 | 3 |
| MRCP3-4388 | 40 | 43 | 125 | 125 | 20 | 120 | 3 |
| MRCP3-43106 | 40 | 43 | 200 | 100 | 20 | 120 | 3 |

STRAIGHT CONNECTOR TUBE TO FLATBAR

CONECTOR RECTO TUBO A PLETINA

RACCORD DROIT TUBE À BARRE MÈPLATE



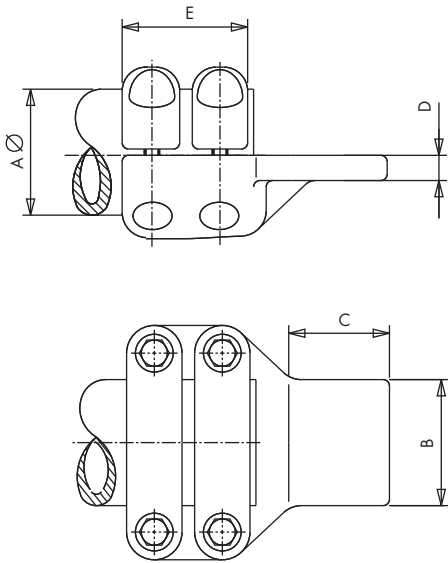
MRBP

| Referencia Code Référence | mm. | | | | | Par de apriete Tightening torque Couple de serrage (kg.m) |
|---------------------------------|-----|-----|-----|----|-----|--|
| | AØ | B | C | D | E | |
| MRBP-3033 | 30 | 50 | 50 | 20 | 82 | 3 |
| MRBP-3035 | 30 | 50 | 80 | 20 | 82 | 3 |
| MRBP-3044 | 30 | 60 | 60 | 20 | 82 | 3 |
| MRBP-3055 | 30 | 80 | 80 | 20 | 82 | 3 |
| MRBP-3066 | 30 | 100 | 100 | 20 | 82 | 3 |
| MRBP-3088 | 30 | 125 | 125 | 15 | 82 | 3 |
| MRBP-30106 | 30 | 200 | 100 | 15 | 82 | 3 |
| MRBP-4033 | 40 | 50 | 50 | 20 | 85 | 5 |
| MRBP-4035 | 40 | 50 | 80 | 20 | 85 | 5 |
| MRBP-4044 | 40 | 60 | 60 | 20 | 85 | 5 |
| MRBP-4055 | 40 | 80 | 80 | 20 | 85 | 5 |
| MRBP-4066 | 40 | 100 | 100 | 20 | 85 | 5 |
| MRBP-4088 | 40 | 125 | 125 | 15 | 85 | 5 |
| MRBP-40106 | 40 | 200 | 100 | 15 | 85 | 5 |
| MRBP-5044 | 50 | 60 | 60 | 20 | 100 | 5 |
| MRBP-5055 | 50 | 80 | 80 | 20 | 100 | 5 |
| MRBP-5066 | 50 | 100 | 100 | 20 | 100 | 5 |
| MRBP-5088 | 50 | 125 | 125 | 20 | 100 | 5 |
| MRBP-6044 | 60 | 60 | 60 | 20 | 100 | 5 |
| MRBP-6055 | 60 | 80 | 80 | 20 | 100 | 5 |
| MRBP-6066 | 60 | 100 | 100 | 20 | 100 | 5 |
| MRBP-6088 | 60 | 125 | 125 | 20 | 100 | 5 |
| MRBP-8055 | 80 | 80 | 80 | 20 | 100 | 5 |
| MRBP-8066 | 80 | 100 | 100 | 20 | 100 | 5 |
| MRBP-8088 | 80 | 125 | 125 | 20 | 100 | 5 |
| MRBP-10055 | 100 | 80 | 80 | 20 | 100 | 5 |
| MRBP-10066 | 100 | 100 | 100 | 20 | 100 | 5 |
| MRBP-10088 | 100 | 125 | 125 | 20 | 100 | 5 |

STRAIGHT CONNECTOR UNION TUBE TO FLATBAR IN AXIS

CONECTOR RECTO PARA UNIÓN DE TUBO A PLETINA EN EL EJE

RACCORD DROIT JONCTION TUBE À BARRE MÈPLATE SUR L'AXE



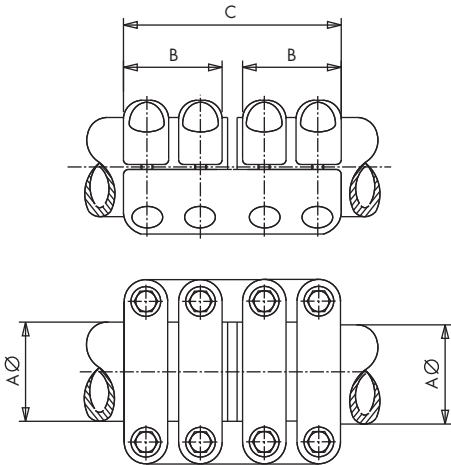
MRBPE

| Referencia Code Référence | mm. | | | | | Par de apriete Tightening torque Couple de serrage (kg.m) |
|---------------------------------|-----------------|-----|-----|----|-----|--|
| | A \varnothing | B | C | D | E | |
| MRBPE-10055 | 100 | 80 | 80 | 20 | 100 | 5 |
| MRBPE-10066 | 100 | 100 | 100 | 20 | 100 | 5 |
| MRBPE-10088 | 100 | 125 | 125 | 20 | 100 | 5 |
| MRBPE-12055 | 120 | 80 | 80 | 20 | 110 | 7 |
| MRBPE-12066 | 120 | 100 | 100 | 20 | 110 | 7 |
| MRBPE-12088 | 120 | 125 | 125 | 20 | 110 | 7 |
| MRBPE-15066 | 150 | 100 | 100 | 20 | 120 | 7 |
| MRBPE-15088 | 150 | 125 | 125 | 20 | 120 | 7 |

STRAIGHT CONNECTOR FOR TUBES UNION

CONECTOR RECTO PARA UNIÓN DE TUBOS

RACCORD DROIT POUR JONCTION DE TUBES



MRBB

| Referencia Code Référence | mm. | | | Par de apriete Tightening torque Couple de serrage (kg.m) |
|---------------------------------|-----------------|-----|-----|--|
| | A \varnothing | B | C | |
| MRBB-5050 | 50 | 100 | 210 | 5 |
| MRBB-6060 | 60 | 100 | 210 | 5 |
| MRBB-8080 | 80 | 100 | 210 | 5 |
| MRBB-100100 | 100 | 100 | 220 | 5 |
| MRBB-120120 | 120 | 110 | 260 | 7 |
| MRBB-150150 | 150 | 120 | 270 | 7 |
| MRBB-200200 | 200 | 120 | 270 | 7 |
| MRBB-250250 | 250 | 128 | 290 | 7 |